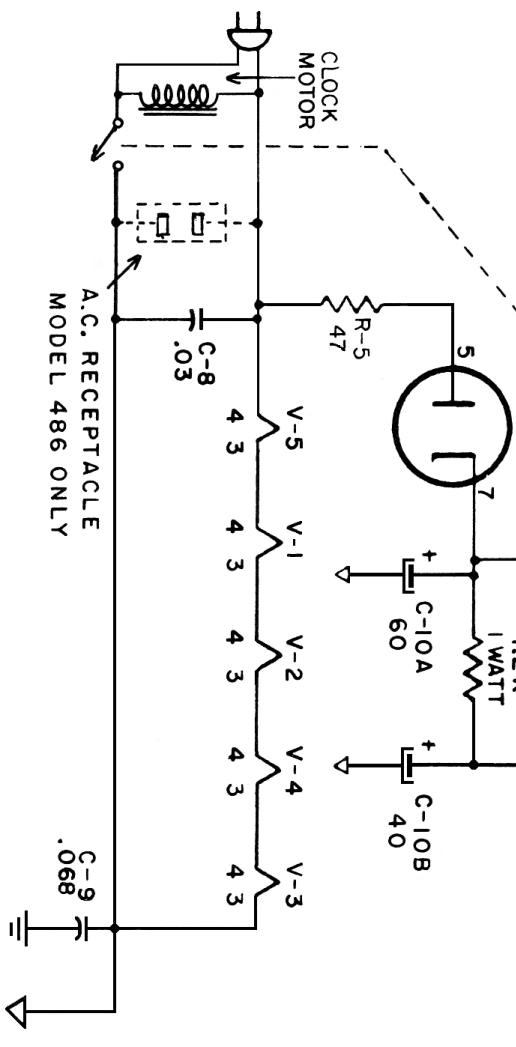


NOTES: - UNLESS OTHERWISE NOTED:

- 1- CAPACITANCES IN MICROFARADS.
- 2- RESISTORS ARE 1/2 WATT.
- 3- \uparrow DENOTES CHASSIS CONNECTION.
- 4- \downarrow DENOTES CONNECTION TO LINE.
- 5- VOL. & SWITCH (A521-342) MODELS 483 & 484 VOLUME ONLY (A521-341) 485 & 486

I. F. = 455 kc



Marconi Models 483, 484 (Chassis 480)
Marconi Models 485, 486 (Chassis 481)