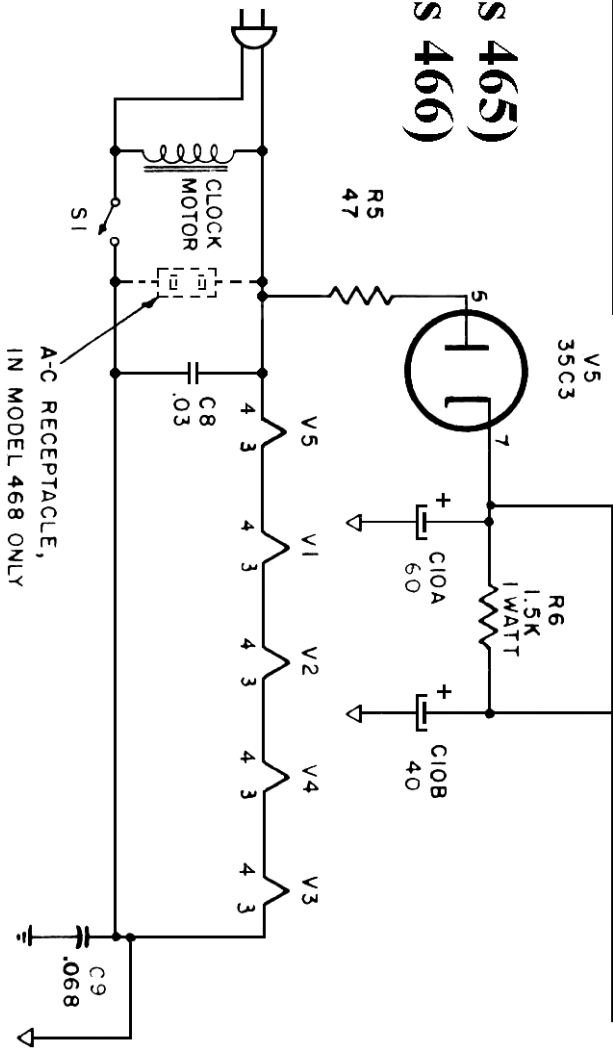


Marconi Models 467, 468 (Chassis 465) Marconi Models 469, 470 (Chassis 466)

NOTES:- UNLESS OTHERWISE NOTED

- 1 - CAPACITANCES IN MICROFARADS.
- 2 - RESISTORS ARE 1/2 WATT.
- 3 - \perp DENOTES CHASSIS CONNECTION.
- 4 - \downarrow DENOTES CONNECTION TO LINE.



**Marconi Models 467, 468 (Chassis 465)
Marconi Models 469, 470 (Chassis 466)**

