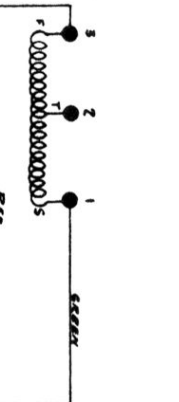
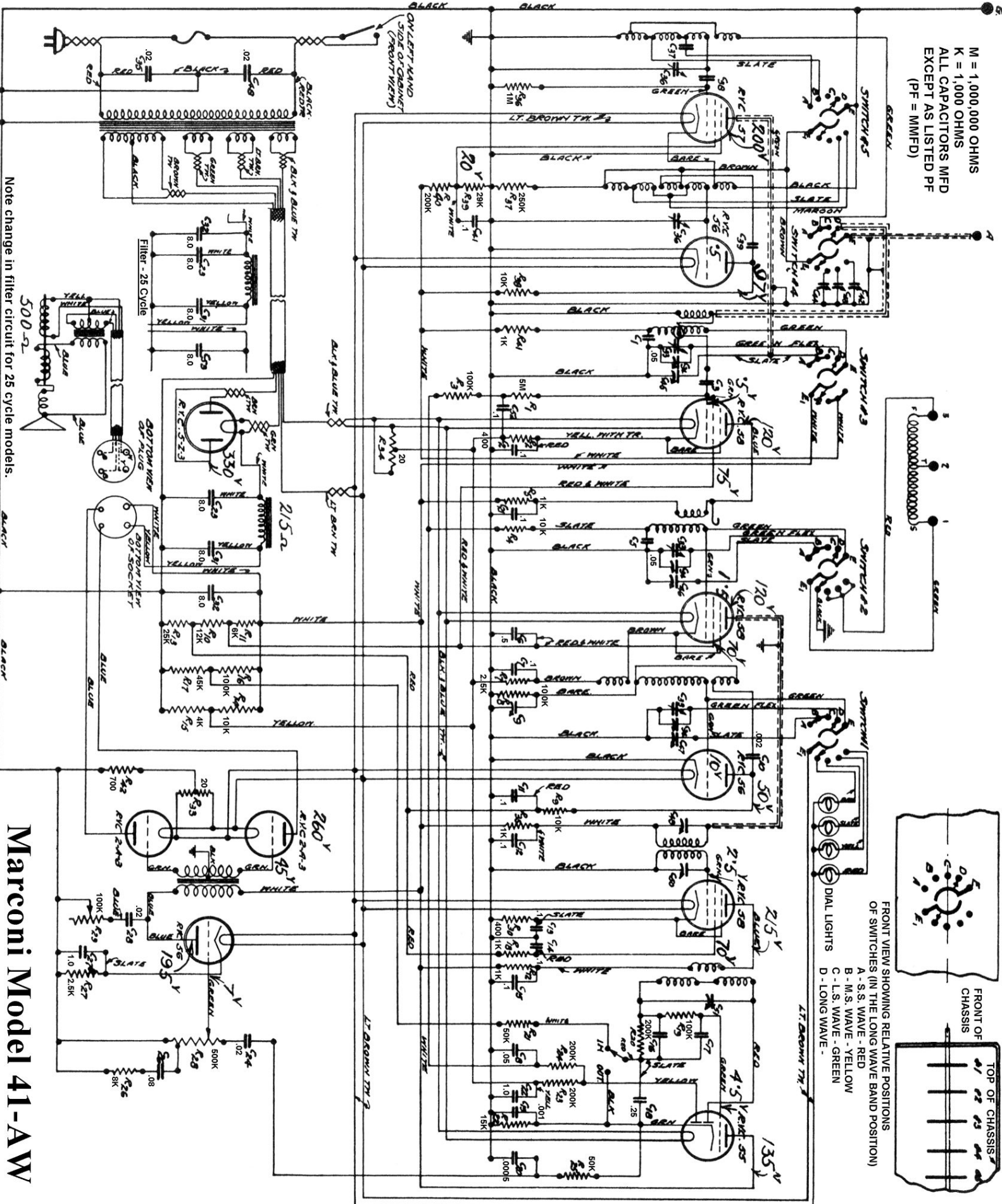


M = 1,000,000 OHMS
K = 1,000 OHMS
ALL CAPACITORS MFD
EXCEPT AS LISTED PF
(PF = MMFD)

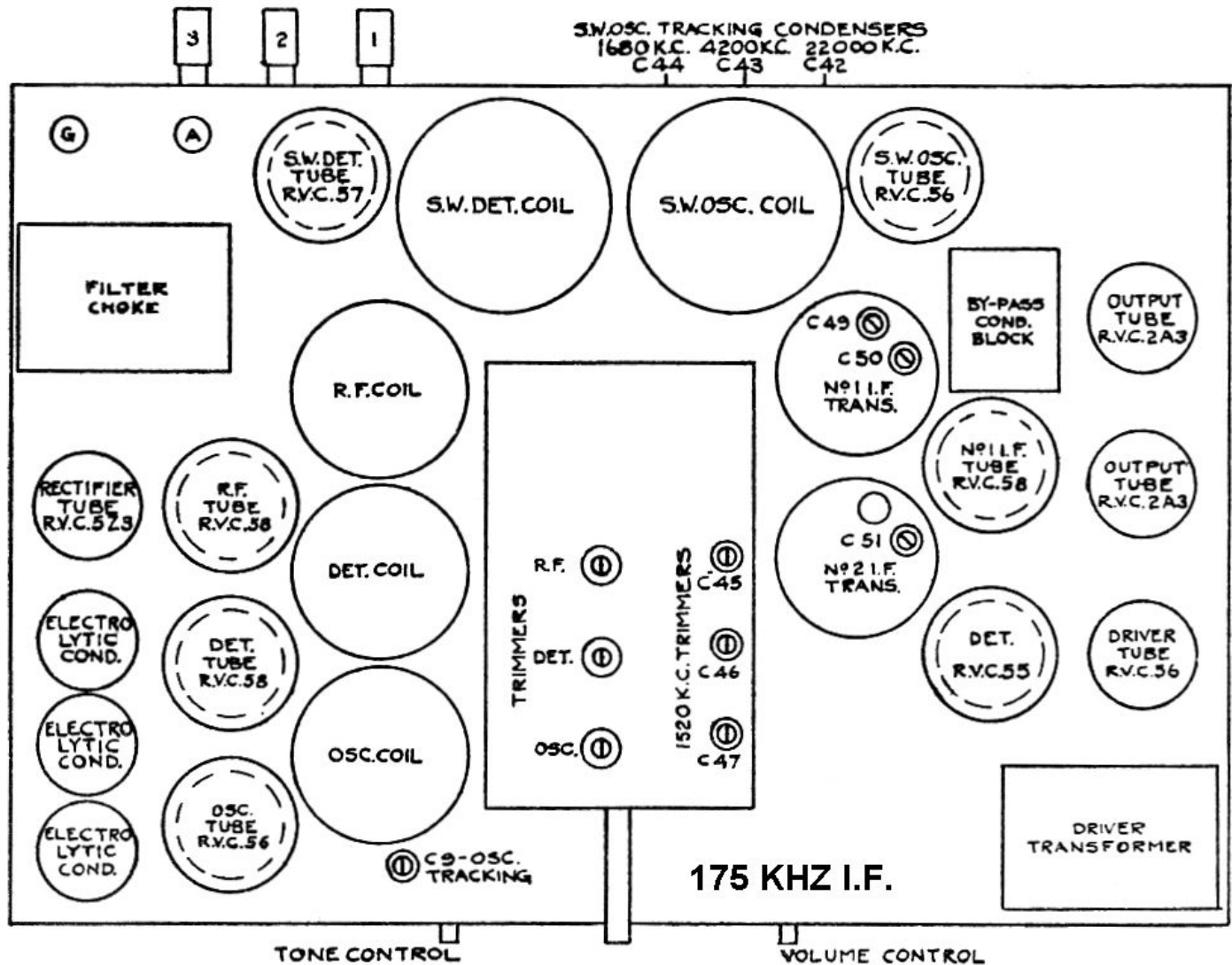


Note change in filter circuit for 25 cycle models.

Marconi Model 41-AW

Marconi Model 41-AW

Chassis Layout & Resistor Panel



Top view of resistor panel →

