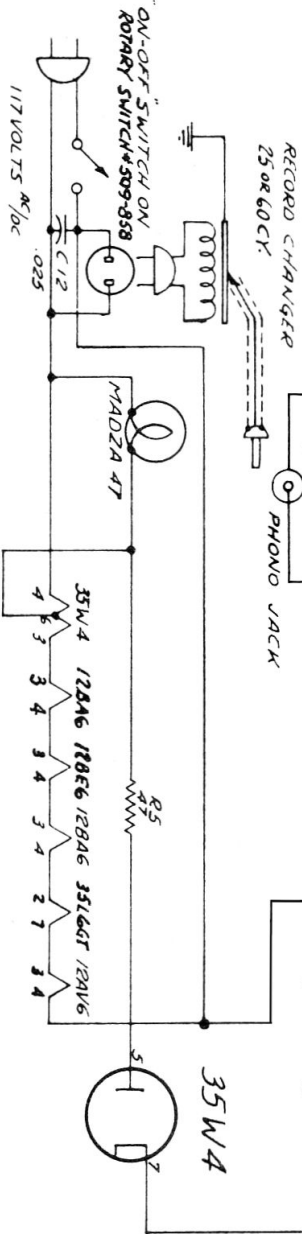
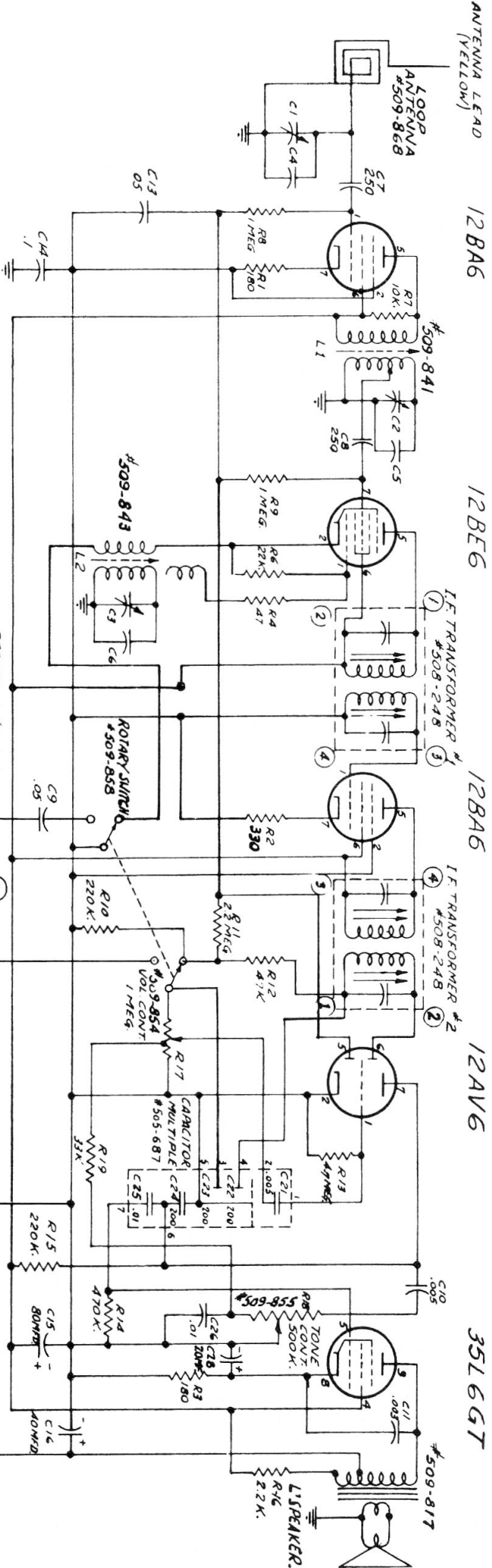


MODEL 379



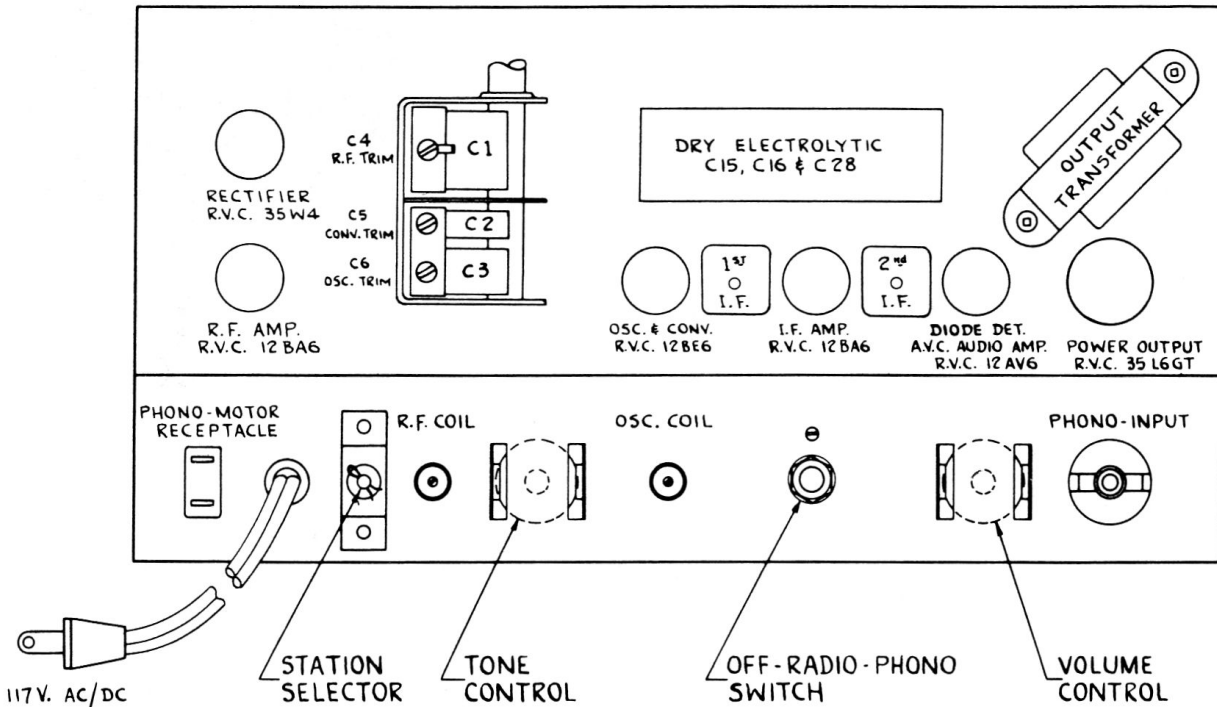
Marconi 341, 379, 389 (Chassis 419)



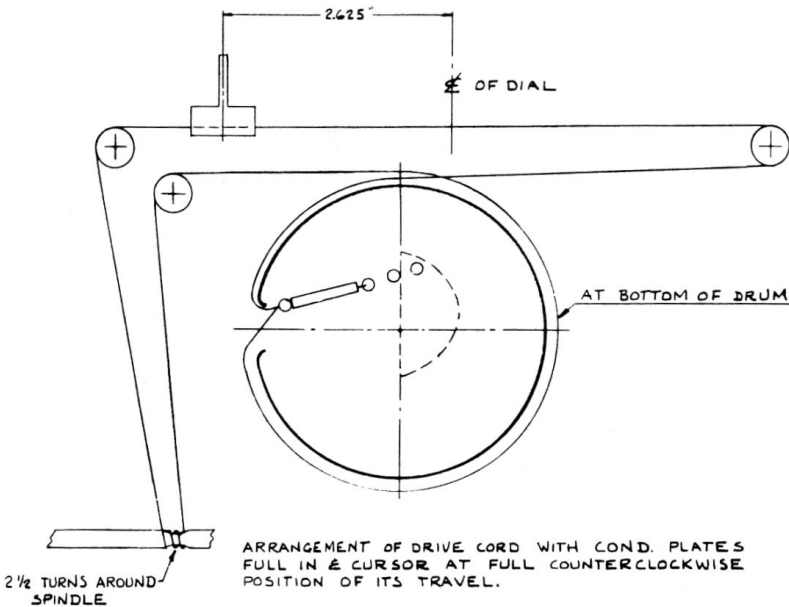
Marconi Models 341, 379, 389 (Chassis 419) Alignment Procedure

STEP	CONNECT S. G. OUTPUT TO	FREQUENCY	DIAL SETTING	ADJUST	CIRCUITS RESONATED	REMARKS
1	*C. G. 12BE6	455 K. C.	Gang at Maximum	Top & Bottom Aligners	No. 2 I. F.	Adjust for
2	*C. G. 12BE6	455 K. C.	Gang at Maximum	Top & Bottom Aligners	No. 1 I. F.	
3	Antenna Lead	580 K. C.	580 K. C.	L1 L2 Inside turn of loop	Detector Oscillator R. F. Loop	Maximum Output
4	And Chassis	1500 K. C.	1500 K. C.	C6 C5 C4	Oscillator Detector R. F. Loop	

* Lug on detector section (Centre) of gang forms suitable point of connection. Apply signal through a 400 ohms resistor.



DRIVE CORD ARRANGEMENT



VOLTAGE DATA

Rectifier Cathode	115 v.
B ⁺	86 v.
Output Plate	105 v.
Output Cathode	5.5 v.

Above readings are approximate and will vary depending on the resistance of the voltmeter used. Readings are taken on lowest scale that will accommodate the voltage under test.

LOUDSPEAKER DATA

	Model 341	Model 379	Model 389
Cone	5"	5" x 7"	4" x 6"
Field Permanent Magnet Alnico V	1.47 oz.	1.3 oz.	1.47 oz.
Voice Coil Impedance at 400 C. P. S.	3.2 ohms	3.2 ohms	3.2 ohms
Output Transformer Pri- mary Resistance	330 ohms	330 ohms	330 ohms
Output Transformer Pri- mary Impedance	3000 ohms	3000 "	3000 "