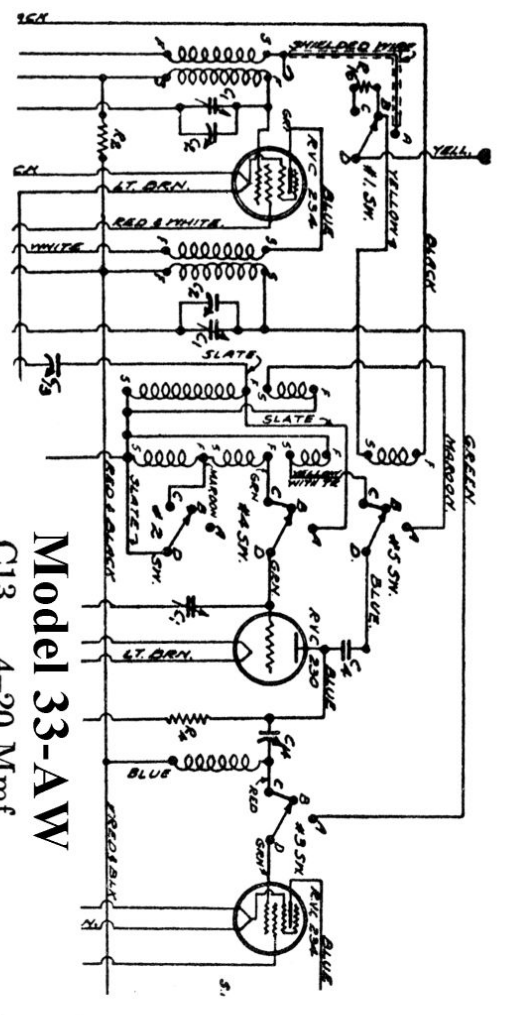


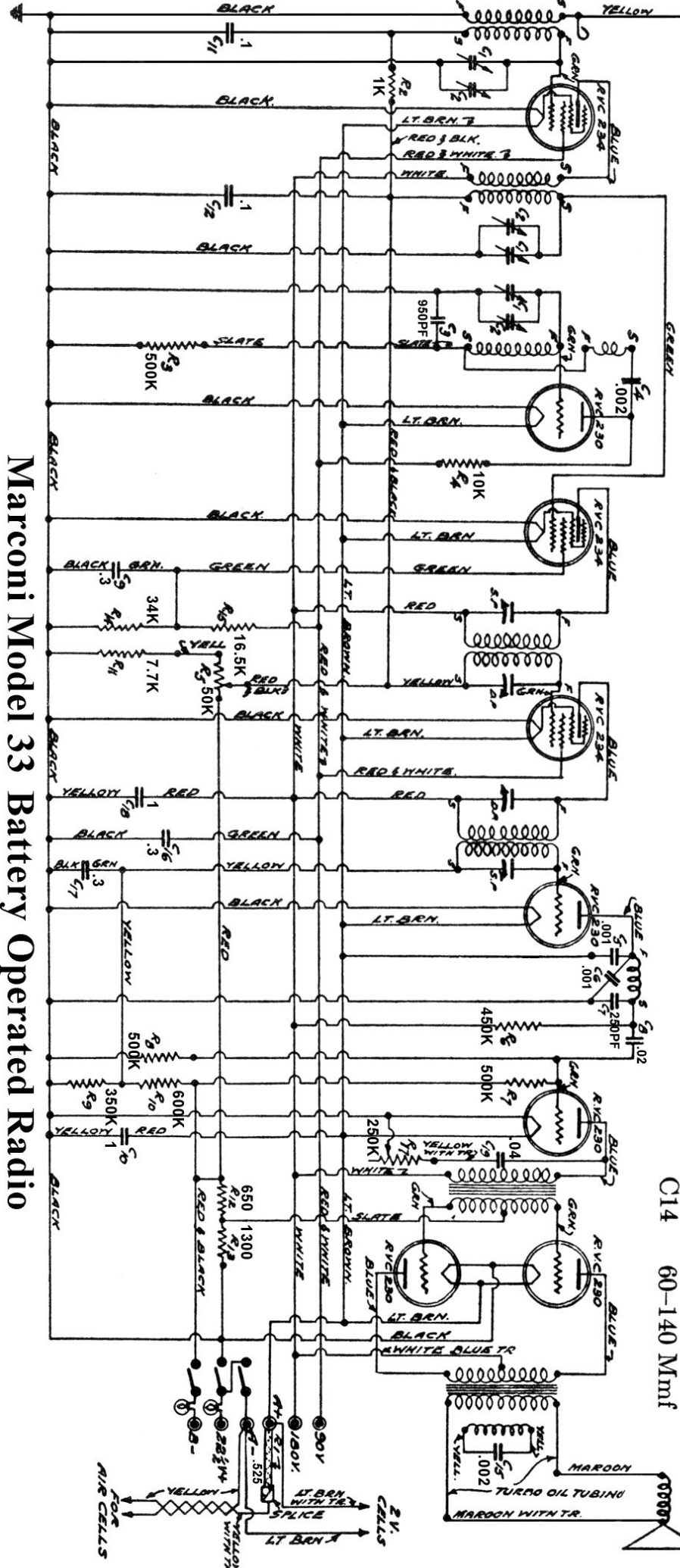
TRIMMER ADJUSTMENTS

I.F.—175 K.C. adjust in order—No. 1, No. 2, No. 3, No. 4
 R.F.—Trim at 1,400 K.C. in order—Osc., Det., R.F.
 Oscillator Tracking Condenser—Adjust at 600 K.C.



Model 33-AW

- C13 4-20 Mmf
- C14 60-140 Mmf



Marconi Model 33 Battery Operated Radio