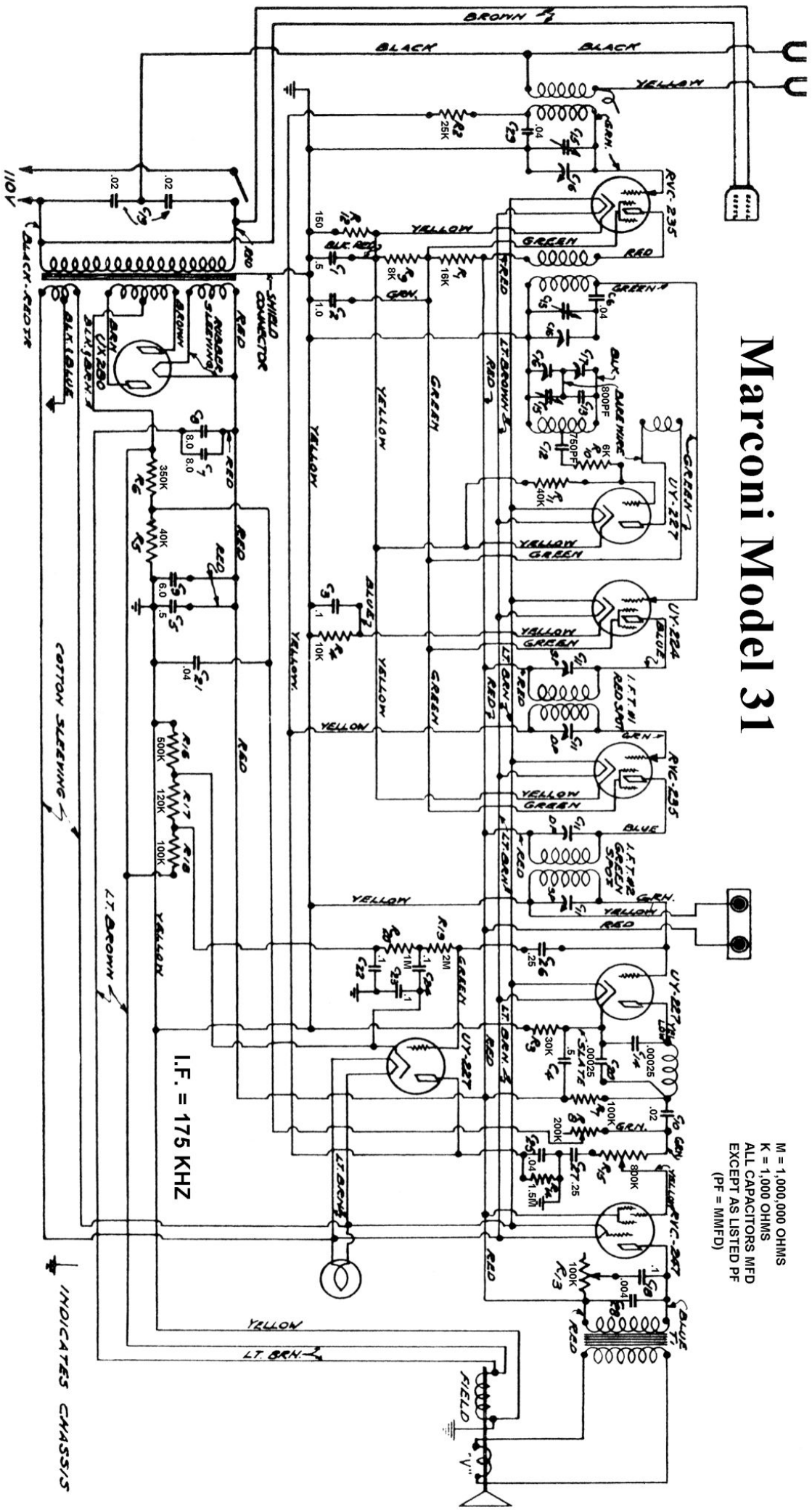


# Marconi Model 31



M = 1,000,000 OHMS  
 K = 1,000 OHMS  
 ALL CAPACITORS MFD  
 EXCEPT AS LISTED PF  
 (PF = MMFD)

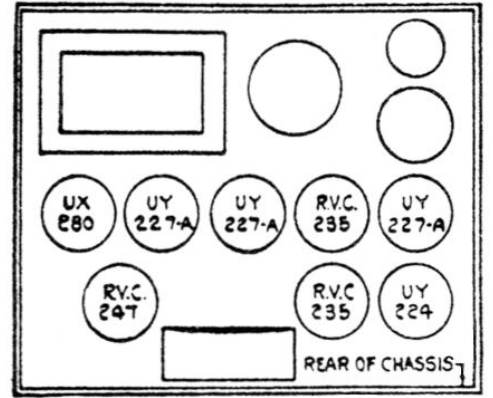
I.F. = 175 KHZ

INDICATES CHASSIS

# Marconi Model 31 Voltage Chart & Layout

Position	Plate Volts	Plate Current	Screen Volts	Grid Volts
R. F. ....	235	3	55	Nil
1st. Det. ....	225	.25	55	4.5
Oscillator ...	55	2.5	—	2.5
I. F. ....	235	2.5	55	2.
2nd Det. ....	110	.5	—	16
A.V.C. ....	12	Nil	—	Nil.
Power .....	225	22	235	7

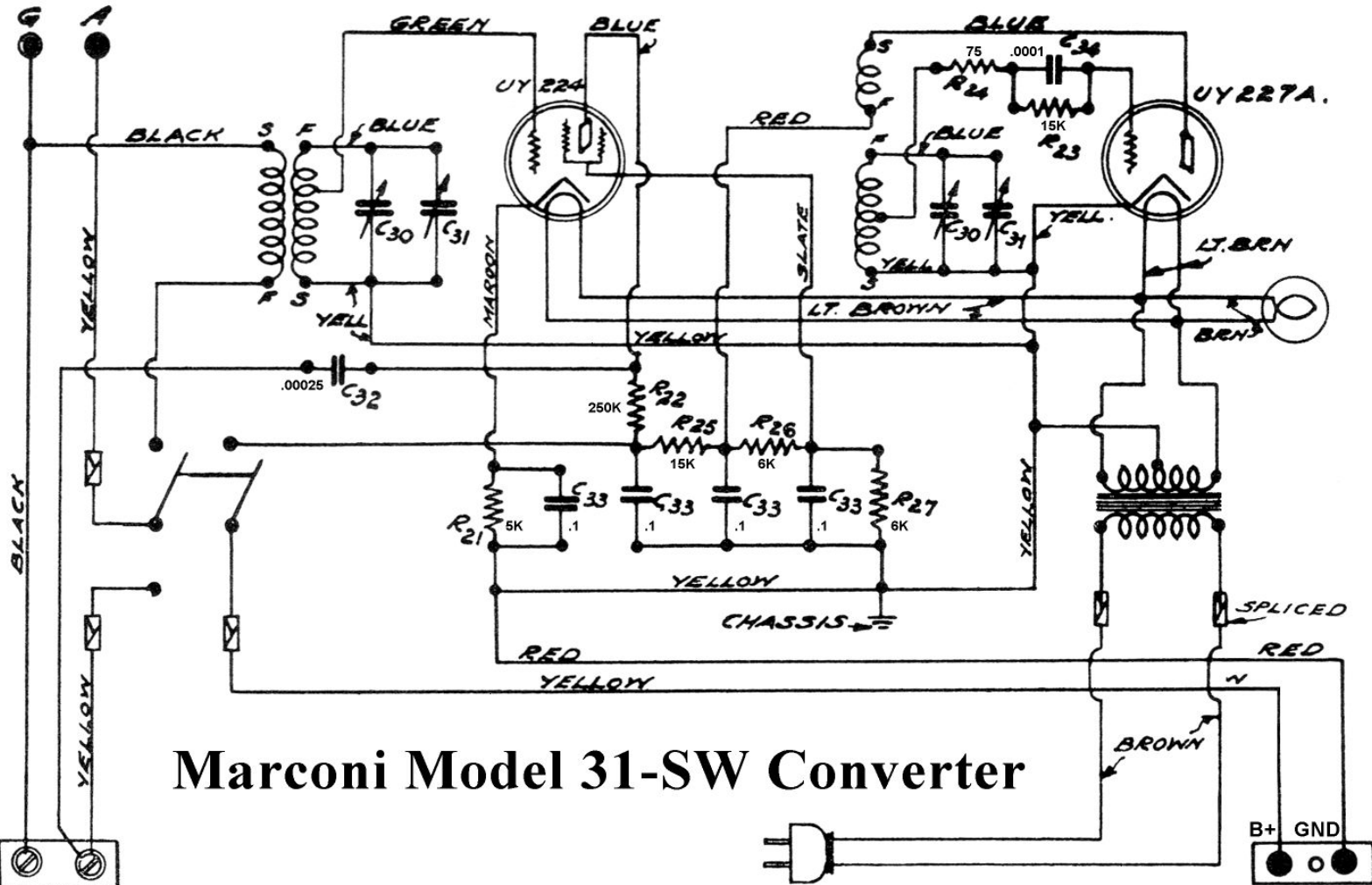
Rect. 2 Det. AVC. RF. Osc.



Pwr. IF. 1 Det.

## Model 31

# Marconi Model 31-SW Short Wave Converter



## Marconi Model 31-SW Converter