

# Marconi Model 305

↓ DENOTES GMS315.  
 CAPACITANCES IN WHOLE NUM IN MMF. & THOSE  
 IN DECIMAL NUM IN MF. UNLESS OTHERWISE  
 SPECIFIED. "K" = 1,000 GMS.

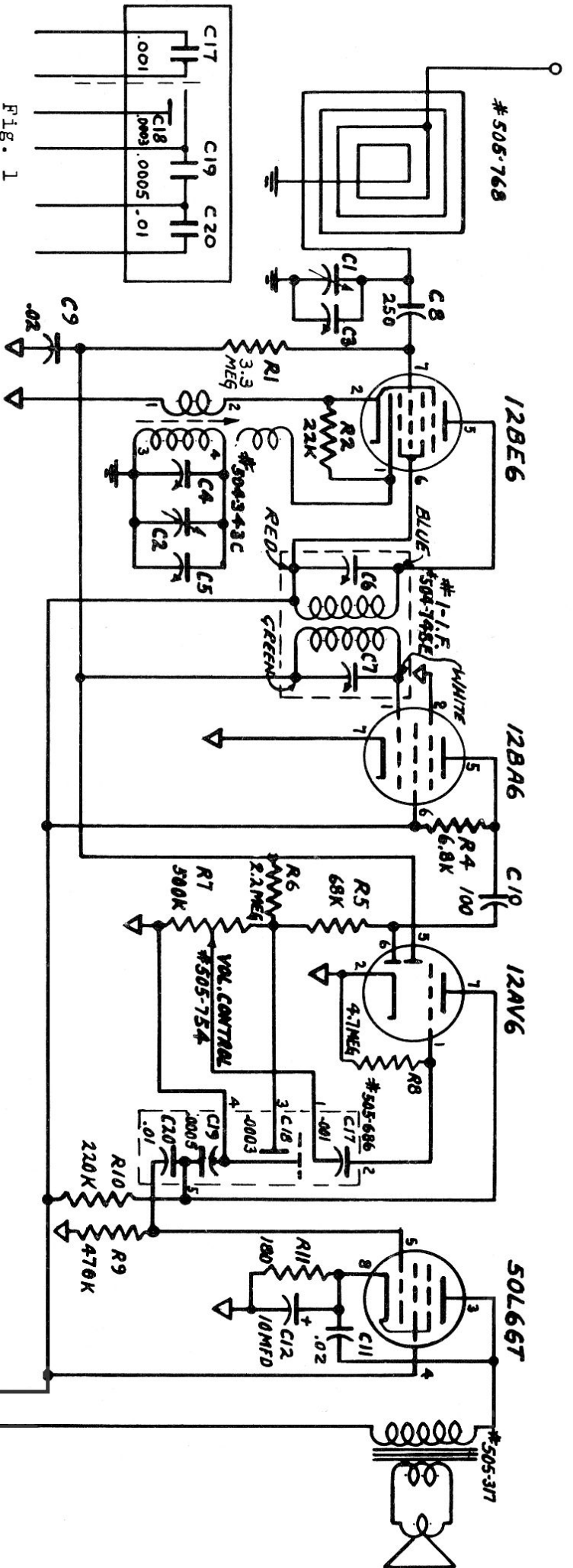
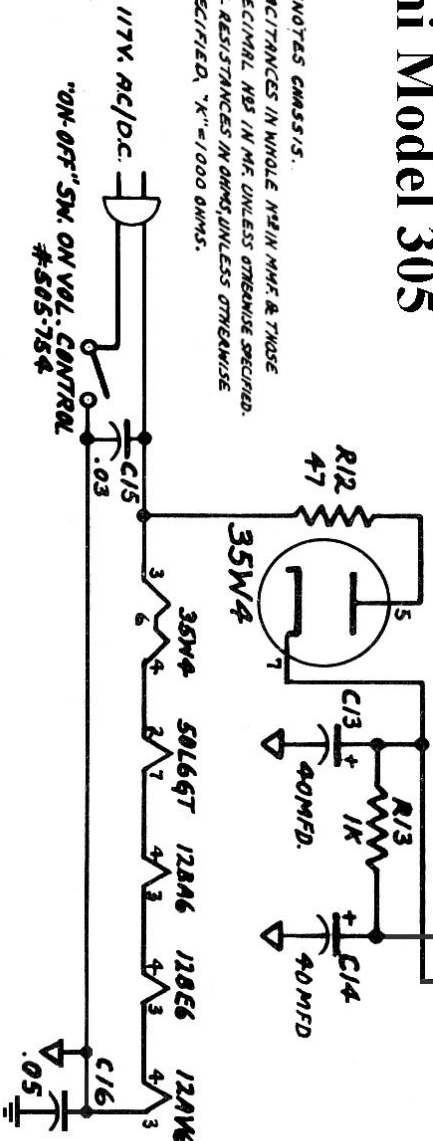


Fig. 1



# Marconi Model 305 Alignment Procedure

CONNECT S.G. OUTPUT TO	INPUT FREQUENCY	DIAL DIAL SETTING	ADJUST	CIRCUIT RESONATED	REMARKS
#STATOR LUG ON GANG CAPACITOR R.F. SECTION	455 K.C.	GANG AT MINIMUM	C 7 - C 6 IN THAT ORDER	1st I.F.	MAXIMUM OUTPUT
# A & G	580 K.C.	580 K.C. GANG AT MINIMUM	OSC. CORE C 4 C 3	OSC. OSC. R.F.	ROCK GANG FOR MAX. OUTPUT MAXIMUM OUTPUT MAXIMUM OUTPUT
A & G	1650 K.C.				
A & G	1400 K.C.				

# LUG ON R.F. SECTION OF GANG FORMS SUITABLE POINT OF CONNECTION.  
 # APPLY SIGNAL THROUGH 0.1 MFD. CAPACITOR.  
 # APPLY SIGNAL THROUGH STANDARD DUMMY ANTENNA.  
 NOTE: SENSITIVITY MAY BE ADJUSTED BY MOVING C 10 TOWARD OR AWAY FROM THE BLUE LEAD TO THE 12BE6 PLATE, WHICH IS LOOPED AROUND C 9.

