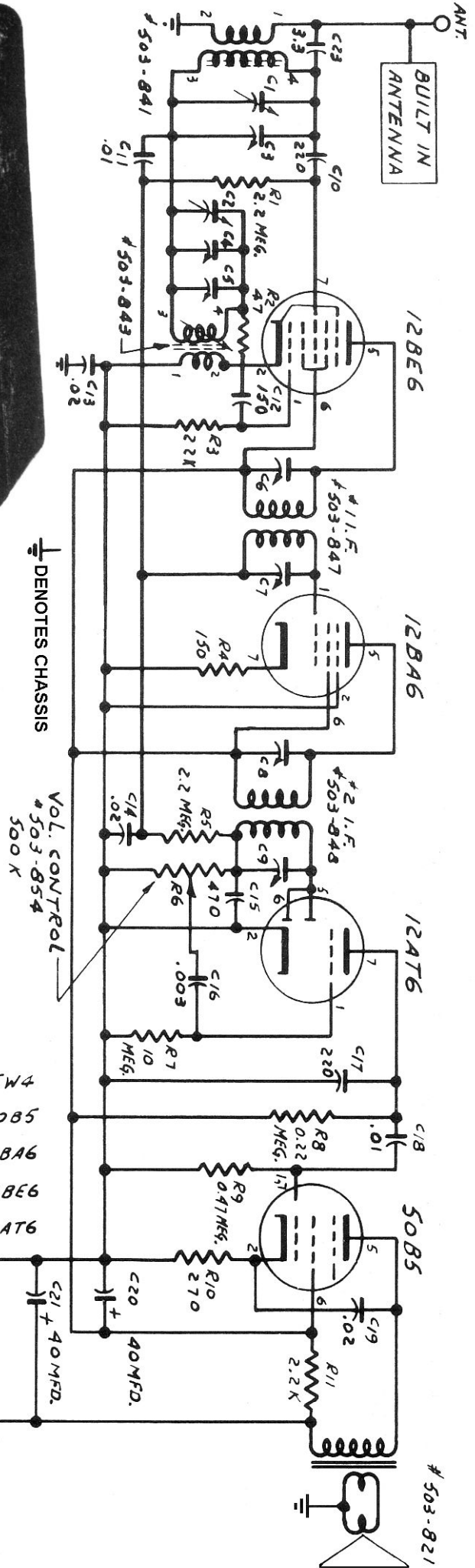


Marconi Model 289



⊥ DENOTES CHASSIS

VOL. CONTROL
503-854
500 K

503-821

Marconi Model 289 Alignment Procedure

CONNECT S.G. OUTPUT TO	INPUT FREQUENCY	RECEIVER DIAL SETTING	ADJUST	CIRCUIT RESONATED	REMARKS
*Stator lug on Gang condenser R.F. Section "	462.5 k.c.	Gang at Min.	C9 - C8	2nd I.F.	Max. Output
"	"	"	C7 - C6	1st I.F.	"
**A & G Leads	1720 k.c.	Gang at Min.	C4	Osc.	Adjust for Resonance
A & G Leads	1400 k.c.	1400 k.c.	C3	R.F.	Adjust for Max. Output

- * Apply Signal through 0.1 mfd. condenser.
- ** Before proceeding with R.F. alignments see that thin line of dial is set over indicator with gang at maximum.

