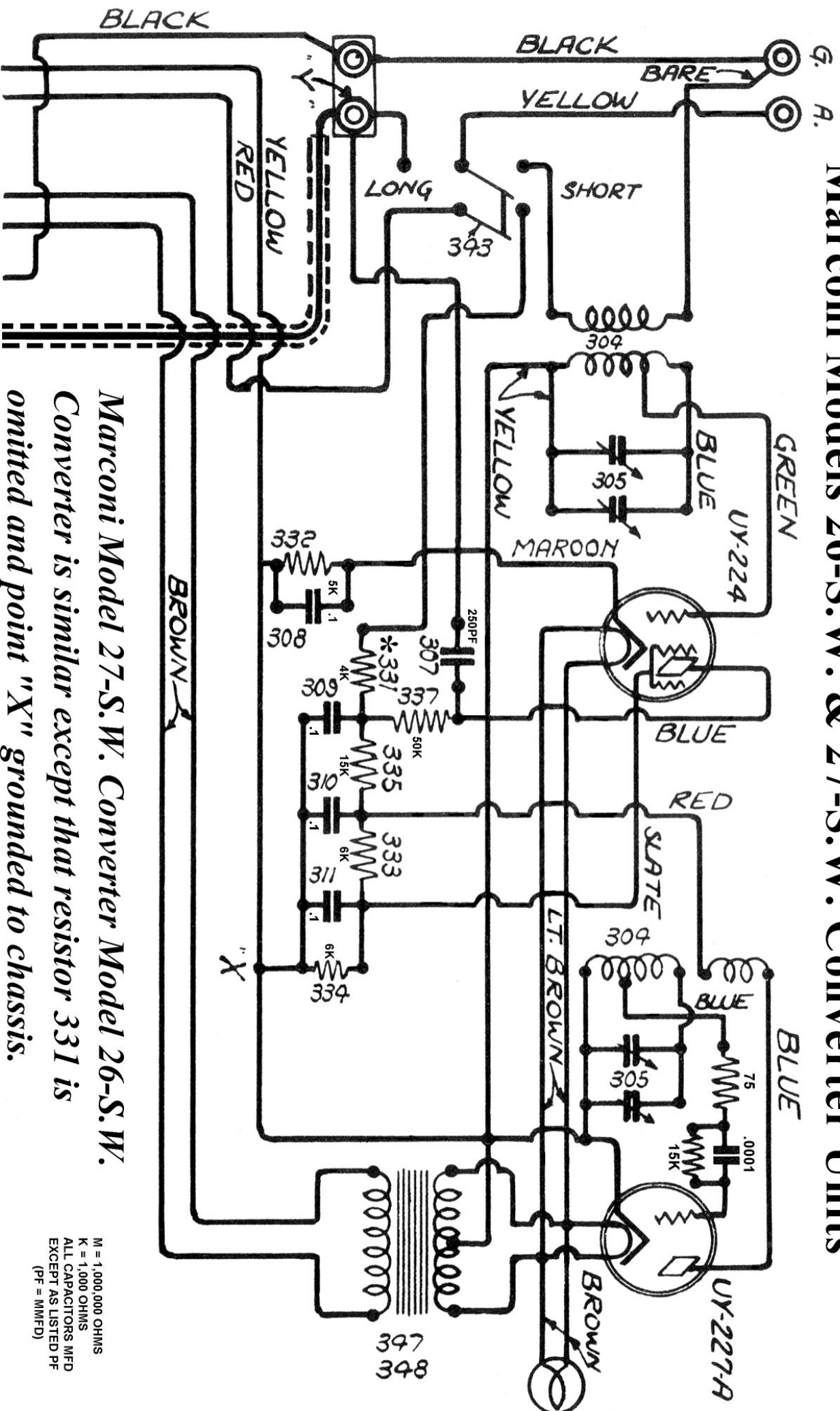


Marconi Models 26-S.W. & 27-S.W. Converter Units



*Marconi Model 27-S.W. Converter Model 26-S.W.
 Converter is similar except that resistor 331 is
 omitted and point "X" grounded to chassis.*

M = 1,000,000 OHMS
 K = 1,000 OHMS
 ALL CAPACITORS MFD
 EXCEPT AS LISTED PF
 (PF = MMFD)