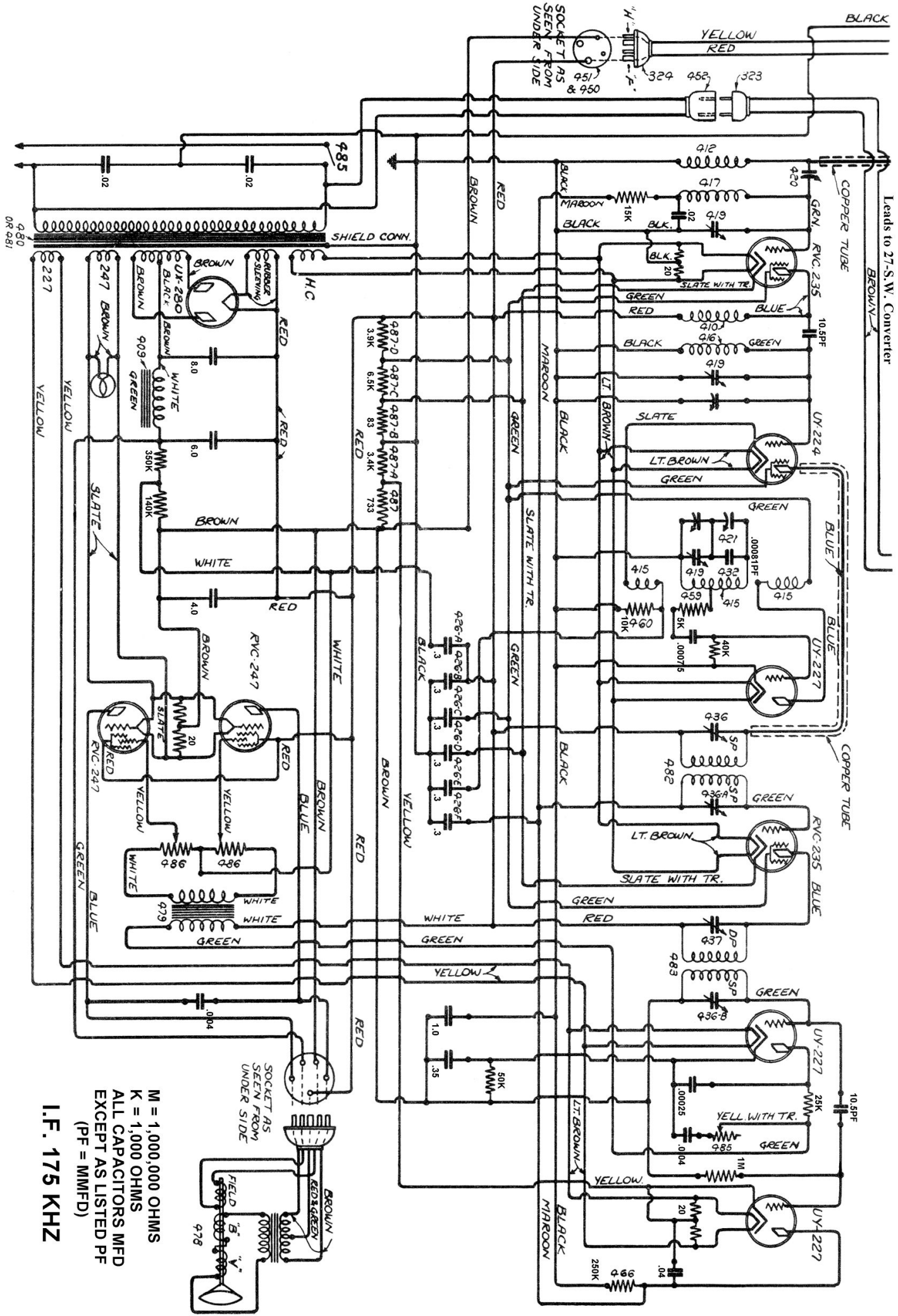
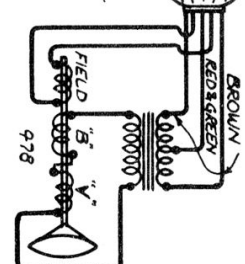


The circuit of this receiver is basically the same as the Model 26-S.W. The addition of Automatic Volume Control and Push Pull Pentodes greatly improves the performance of the receiver.

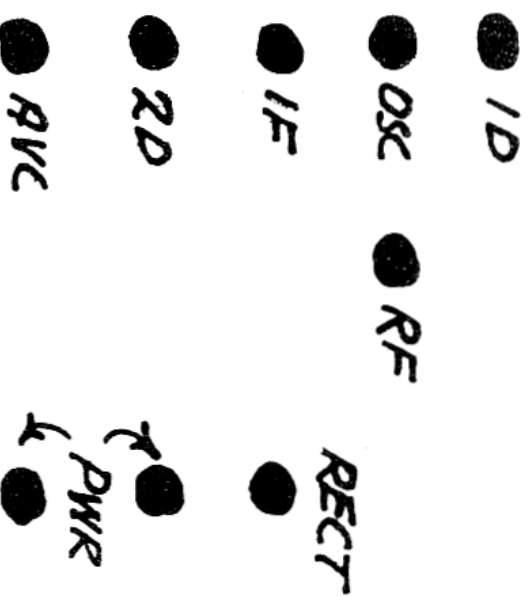
Marconi Model 27 S.W.



M = 1,000,000 OHMS
 K = 1,000 OHMS
 ALL CAPACITORS MFD
 EXCEPT AS LISTED PF
 (PF = MMFD)
 I.F. 175 KHZ



Marconi Model 27 Chassis Layout



Marconi Model 27 Voltage Chart

Position	Type	Plate Volts	Plate Current	Screen Volts	Grid Volts	Heater Volts
R. F.	RVC.235	125	3.5	70	2.5	2.4
1st. Det.	UY-224	125	.7	70	8	2.4
Oscillator	UY-227-A	70	6	80	.5	2.4
I. F.	RVC.235	135	6			2.4
2nd Det.	UY-227-A	190	.5		22	2.4
A.V.C.	UY-227-A	12.5			1	2.4
Power	RVC.247	240	26	250	8-10	2.4