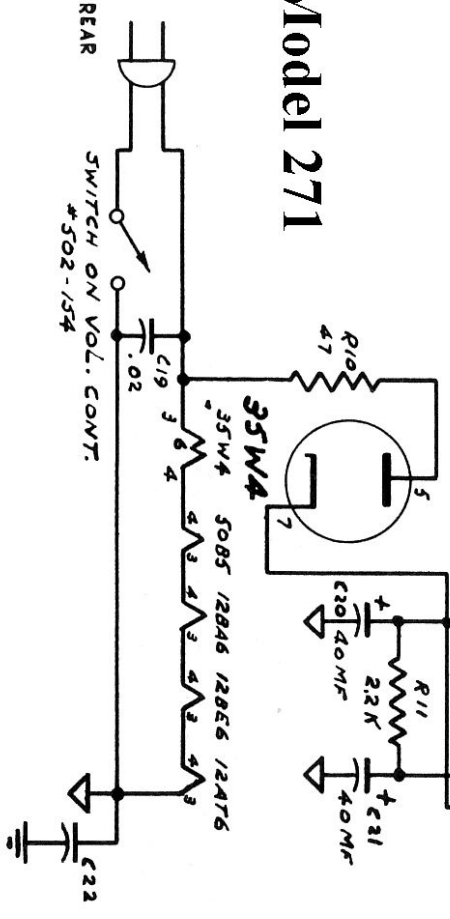
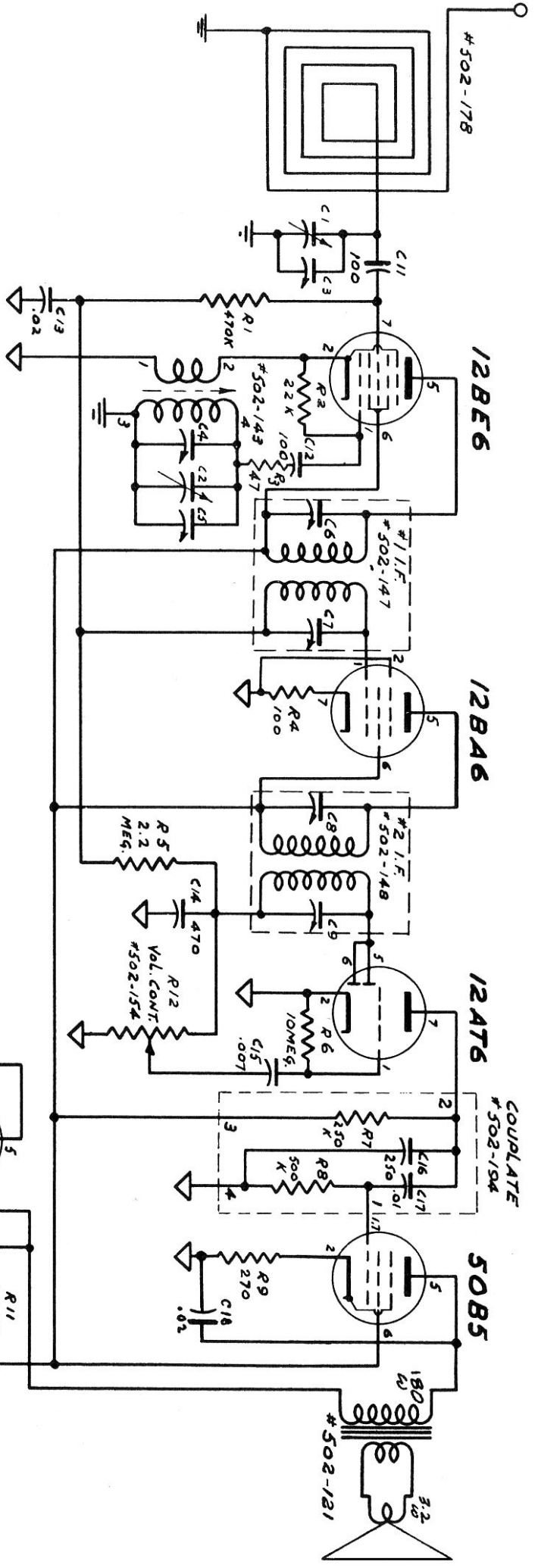
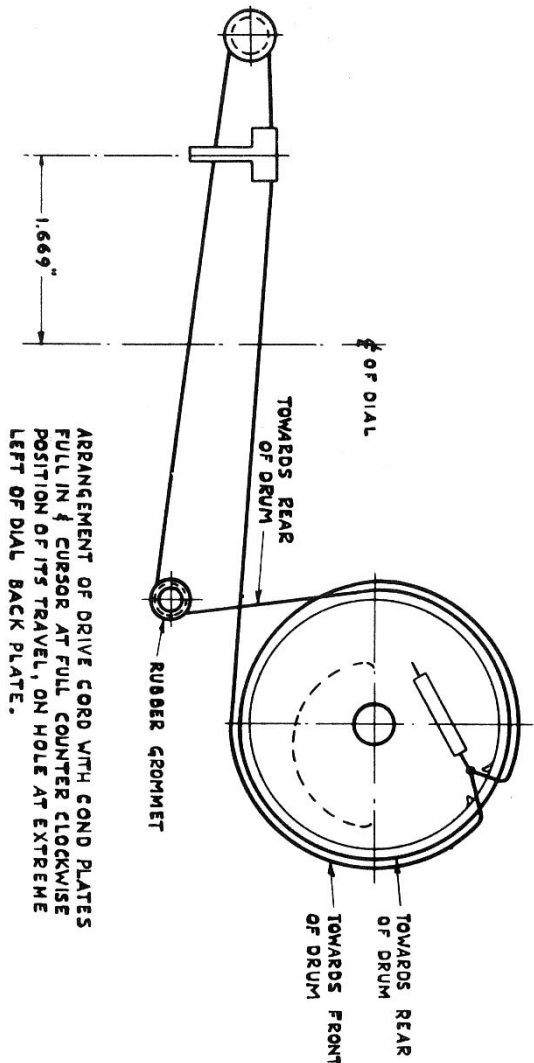


Marconi Model 271

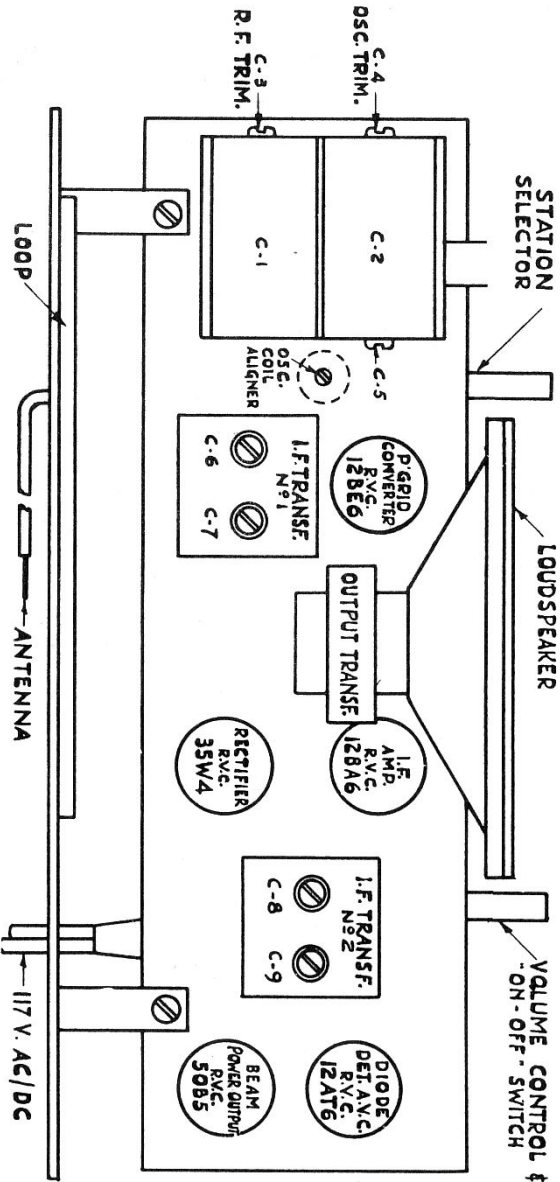




VOLTAGE READINGS

35W4 Cathode to neg of filter cap 123V.
 50B5 Plate to neg of filter cap 118V.
 50B5 Cathode to neg of filter cap 7.4V.
 12BA6 Plate to neg of filter cap 84 V.
 12BE6 Plate to neg of filter cap 84 V.
 12BA6 Cathode to neg of filter cap 93 V.

Marconi Model 271



ALIGNMENT PROCEDURE

Remove chassis from cabinet and connect to power supply through an isolating transformer. Connect output meter leads across the voice coil of the loudspeaker and turn the volume control to maximum. Output from S.G. to be as low as is consistent with serviceable meter reading.

Note: Four index marks are provided on lower edge of the dial back plate to indicate respectively; gang condenser at maximum, 580, 1000 and 1400 K.C. If no isolating transformer is available connect low side of S.G. to negative "B" (Negative side of filter condenser).

Marconi Model 271 Alignment Procedure

CONNECT S.G. OUTPUT TO	INPUT FREQUENCY	RECEIVER DIAL SETTING	ADJUST	CIRCUIT RESONATED	REMARKS
* Stator Lug on Gang Condenser R.F. Section	462.5 K.C.	Gang at Minimum	C9 - C8 C7 - C6	2nd I.F. 1st I.F.	Max. Output Max. Output
**A & G	1720 K.C.	Gang at Minimum	C4	Osc.	Max. Output
A & G	1400 K.C.	1400 K.C.	C3	R.F.-Det.	Max. Output
A & G	580 K.C.	580 K.C.	Osc. Core	Osc. (Pad.)	Rock Gang for Max. Output

* Apply signal through an .01 Mfd. Condenser.

**Before proceeding with R.F. Alignment see that pointer is in line with left hand marking on lower edge of dial back plate, with Gang Capacitor at maximum. Apply signal through 400 ohms to Antenna.