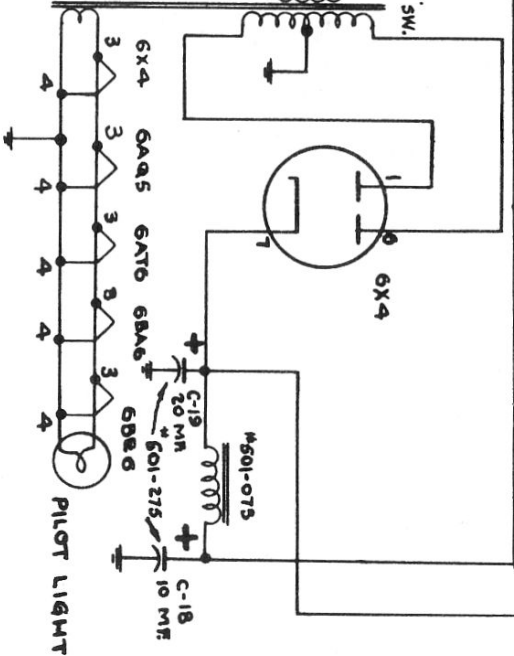
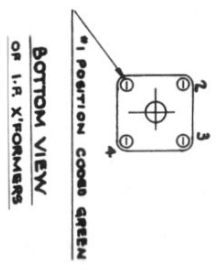
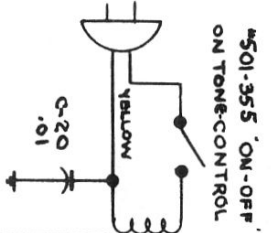
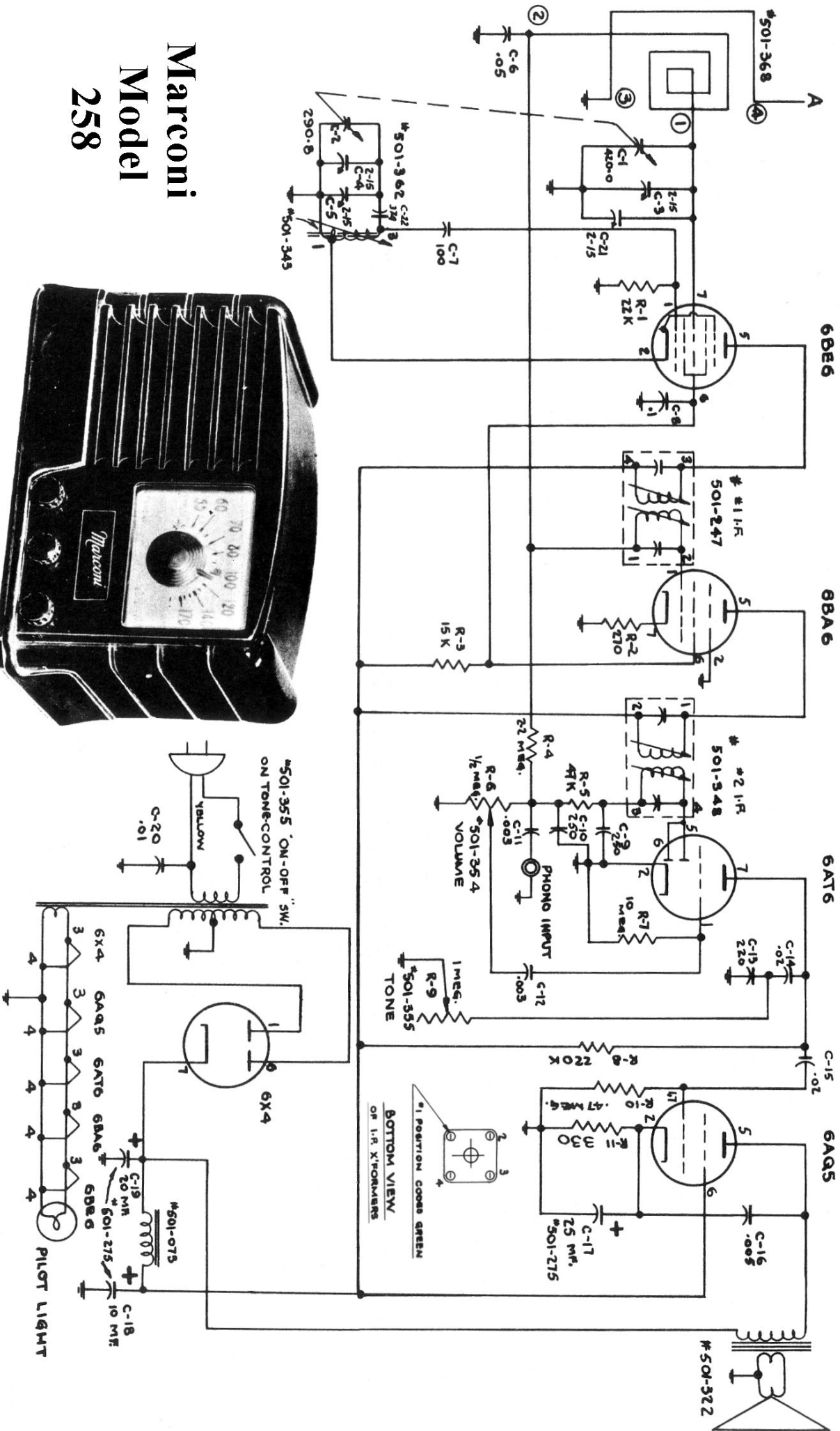
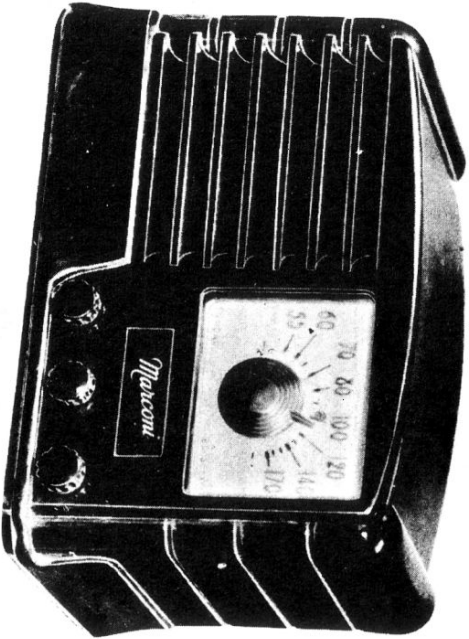


Marconi Model 258



Marconi Model 258 Alignment Procedure

CONNECT S.G. OUTPUT TO	INPUT FREQUENCY	DIAL SETTING	ADJUST	CIRCUIT RESONATED	REMARKS
C.G. 6BE6	** 455 KC	Gang at Min.	Top & Bottom Aligners	No. 2 I.F. No. 1 I.F.	Max. Output
* A & G A & G A & G	1600 KC 1600 KC 580 KC	160 160 58	C4 C3 Core on Osc. Coil	Osc. R.F. Osc. (Padder)	Resonate Max. Output Rook Gang for Max. Output

* Before proceeding with R.F. Alignment, see that dial pointer is set to last calibration mark at left of dial with gang at maximum capacity.

** Lug on R.F. Section of gang forms suitable point of connection.

VOLTAGE AND CURRENT DATA

- Rectifier Voltage (Pin 7-RVC6x4).....280V. D.C.
- Choke Output Voltage(Pin 6-RVC6Aq5).....263V. D.C.
- Screen Voltage (Pin 6-RVC 6BE6-6BA6).....110V. D.C.
- Output Bias Voltage (Pin 2-RVC 6Aq5).....15V. D.C.
- Output Plate Voltage (Pin 5-RVC 6Aq5).....265 V.D.C.

LOUDSPEAKER DATA

- Cone.....5" Dynamic
- Field.....Alnico V 1.47 oz. Permanent Magnet
- Voice Coil Impedance at 400 C.P.S.....3.5 Ohms
- Voice Coil Resistance.....3.2 Ohms
- Output Transformer Primary Resistance.....430 Ohms

