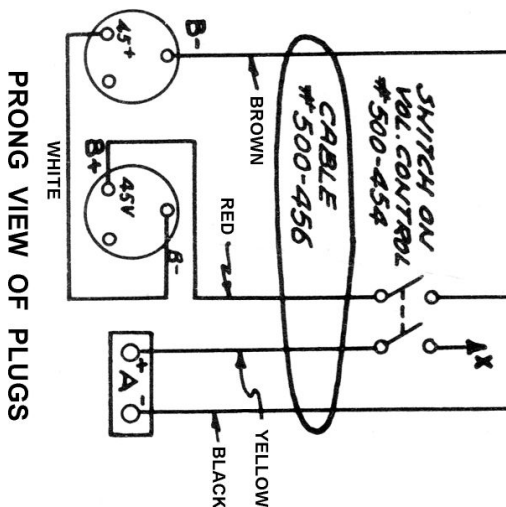


M = 1,000,000 OHMS
 K = 1,000 OHMS
 ALL CAPACITORS MFD
 UNLESS MARKED PF (MMF/D)

⊥ DENOTES CHASSIS

Marconi Model 230 Battery Operated Radio

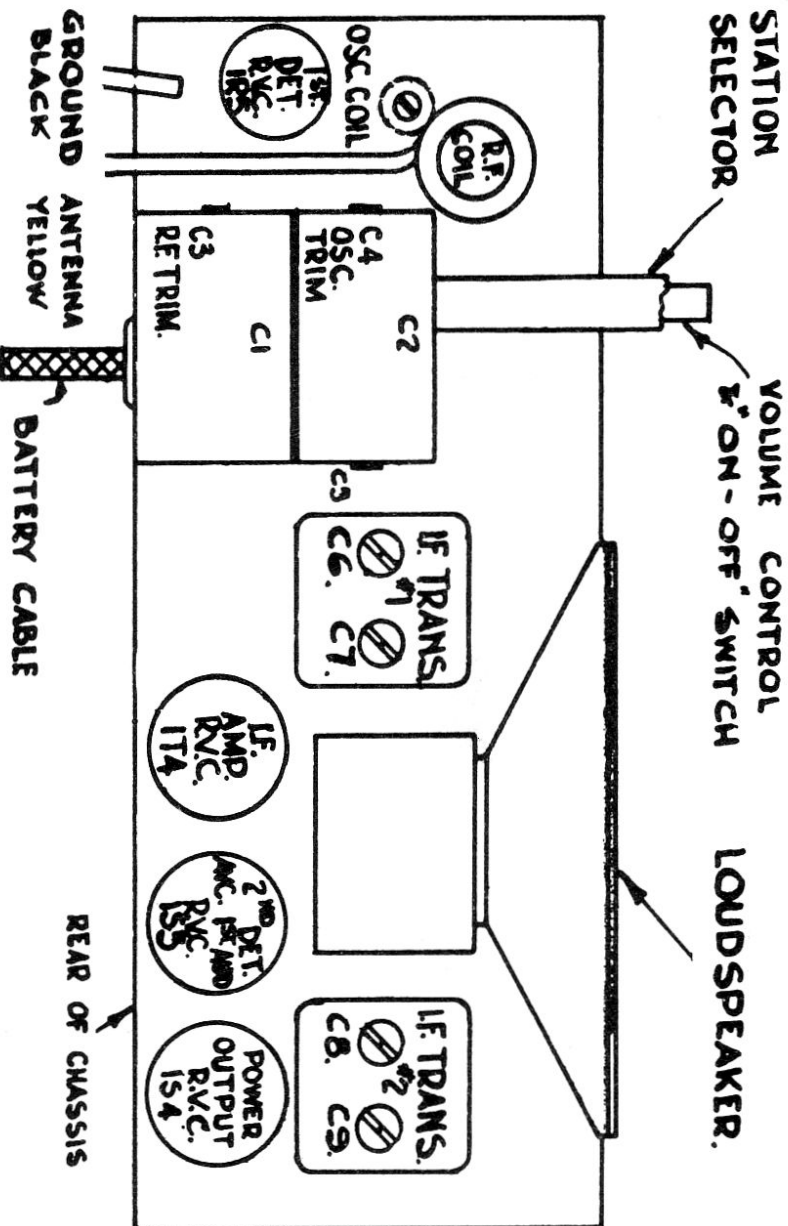


ALIGNMENT PROCEDURE

CONNECT S.G. OUTPUT TO	INPUT FREQUENCY	RECEIVER DIAL SETTING	ADJUST	CIRCUIT RESONATED	REMARKS
# Stator lug on Gang Condenser R.F. Section	462.5 K.C. 462.5 K.C. 462.5 K.C.	Gang at Min. " "	C9 - C8 C7 -- C6	2nd I.F. 1st I.F.	Max. Output "
#/# A. & G Leads	1720 K.C.	Gang at Min.	C4	Osc.	Adjust for Resonance
A & G Leads	1400 K.C.	1400 K.C.	C3	R.F.	Adjust for Max. Output

Apply Signal through 0.1 mfd. condenser.

#/# Before proceeding with R.F. alignments see that thin line of dial is set over indicator with gang at maximum.



Marconi Model 230 Battery Operated Radio