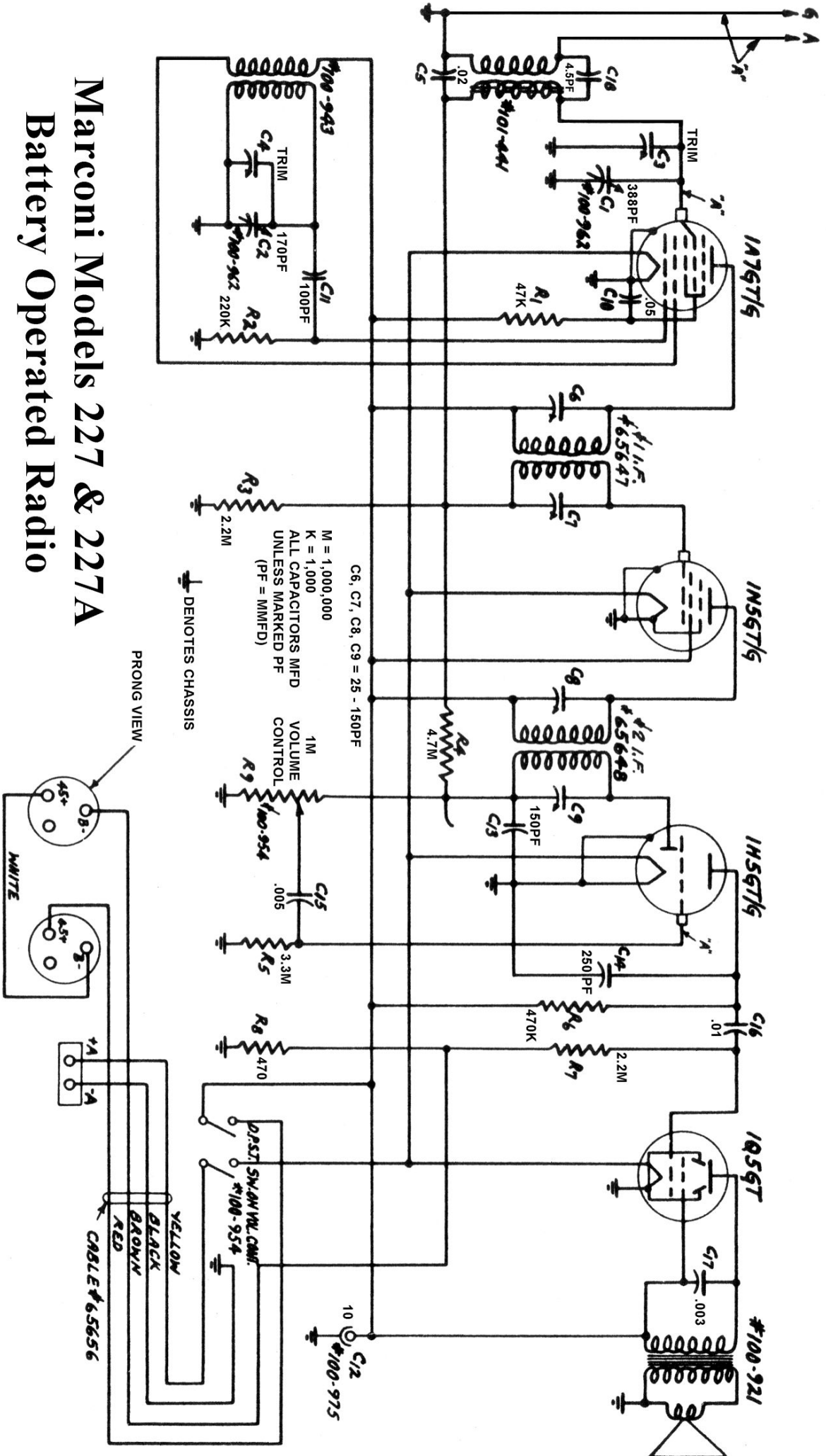
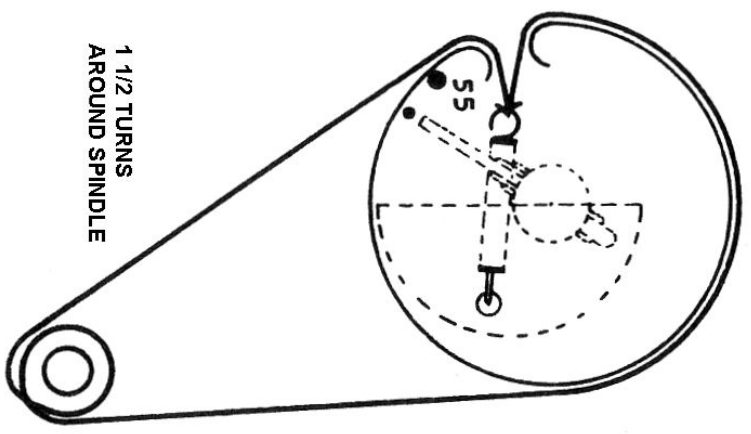
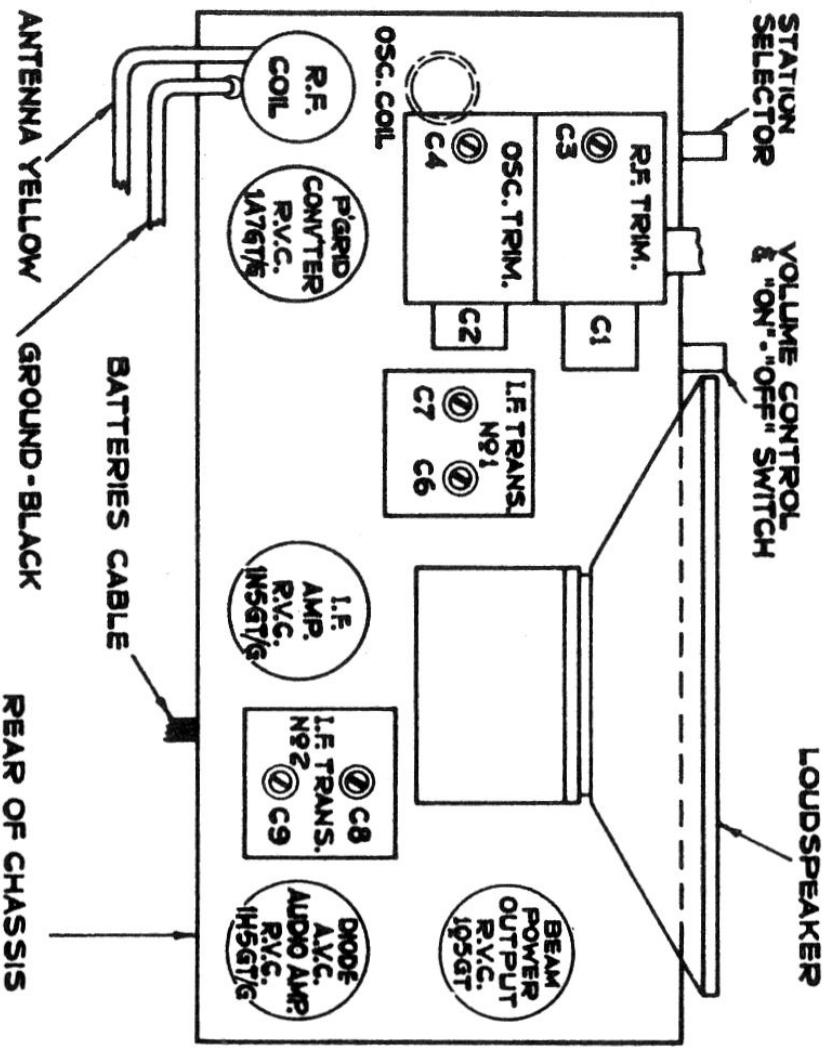


Marconi Models 227 & 227A Battery Operated Radio





VIEW SHOWING ARRANGEMENT OF CORD (PLATES FULL IN & POINTER IN POSITION ON DIAL AS SHOWN) (ON SMALL DOT JUST BELOW CALIBRATION POINT 55.)

Marconi Models 227 & 227A Battery Operated Radio

CONNECT S.G. OUTPUT TO	INPUT FREQUENCY	RECEIVER DIAL SETTING	ADJUST	CIRCUIT RESONATED	REMARKS
+ Cap 1A7G	462.5 KC	+++	C9, C8, C7, C6	#2 I.F. #1 I.F.	Adjust for Max Output
++ A & G Leads	1720 KC	Gang at Min.	C4	Osc.	Adjust for Resonance
A & G Leads	1600 KC	160	C3	R.F.	Adjust for Max Output

- + Apply signal through 0.1 Mfd. capacitor.
- ++ Before proceeding with R.F. Alignment, see that pointer is set over last division on left hand side of dial scale with gang at maximum.
- +++ Short Osc. Section of gang through 0.1 Mfd. capacitor.