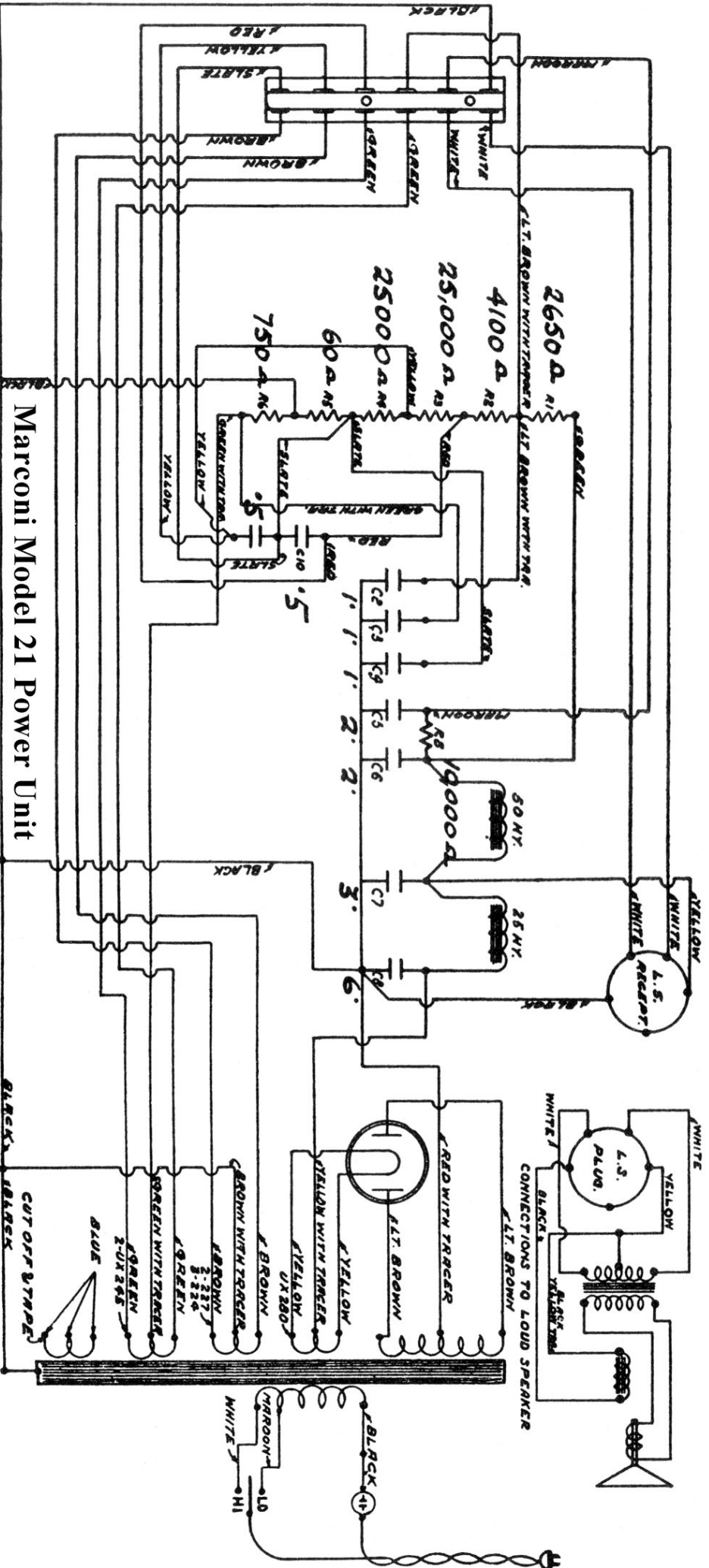


VOLTAGE AND CURRENT READINGS FOR Model 21

Type and position of tubes	UY224		UY224 Detector	UY227 1st A.F.	UX245 2nd A.F.	UX280 Rect.
	1st, 2nd R.F.	On				
Volume Control.....						
Plate volts.....	165	180	110	180	250	375 A.C.
Plate current.....	4	0	.25	8	32	65
Screen grid volts.....	80	0	32	12	42	...
Control grid volts.....	1.8	1.3	6	2.3	2.3	...
Filament volts.....	2.3	2.3	2.3	2.3	2.3	4.9

Marconi Model  
21



Marconi Model 21 Power Unit