

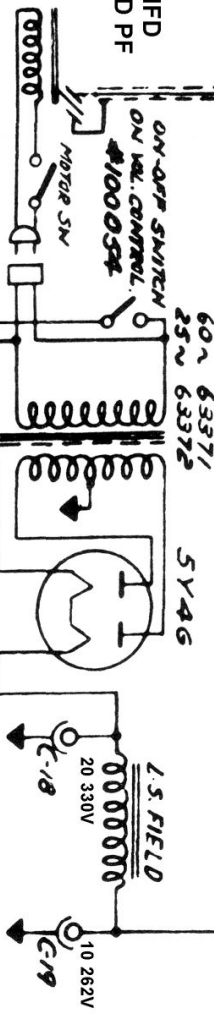
WIRE LEGEND
 "A" - TO THE END OF FLEX WIRE
 ALL OTHER "TO THE END OF SOLDER"

C5, C6, C7, C8 = 55 - 300PF
 (I.F. Trimmer)

M = 1,000,000 OHMS
 K = 1,000 OHMS
 ALL CAPACITORS MFD
 EXCEPT AS MARKED PF
 (PF = MMFD)

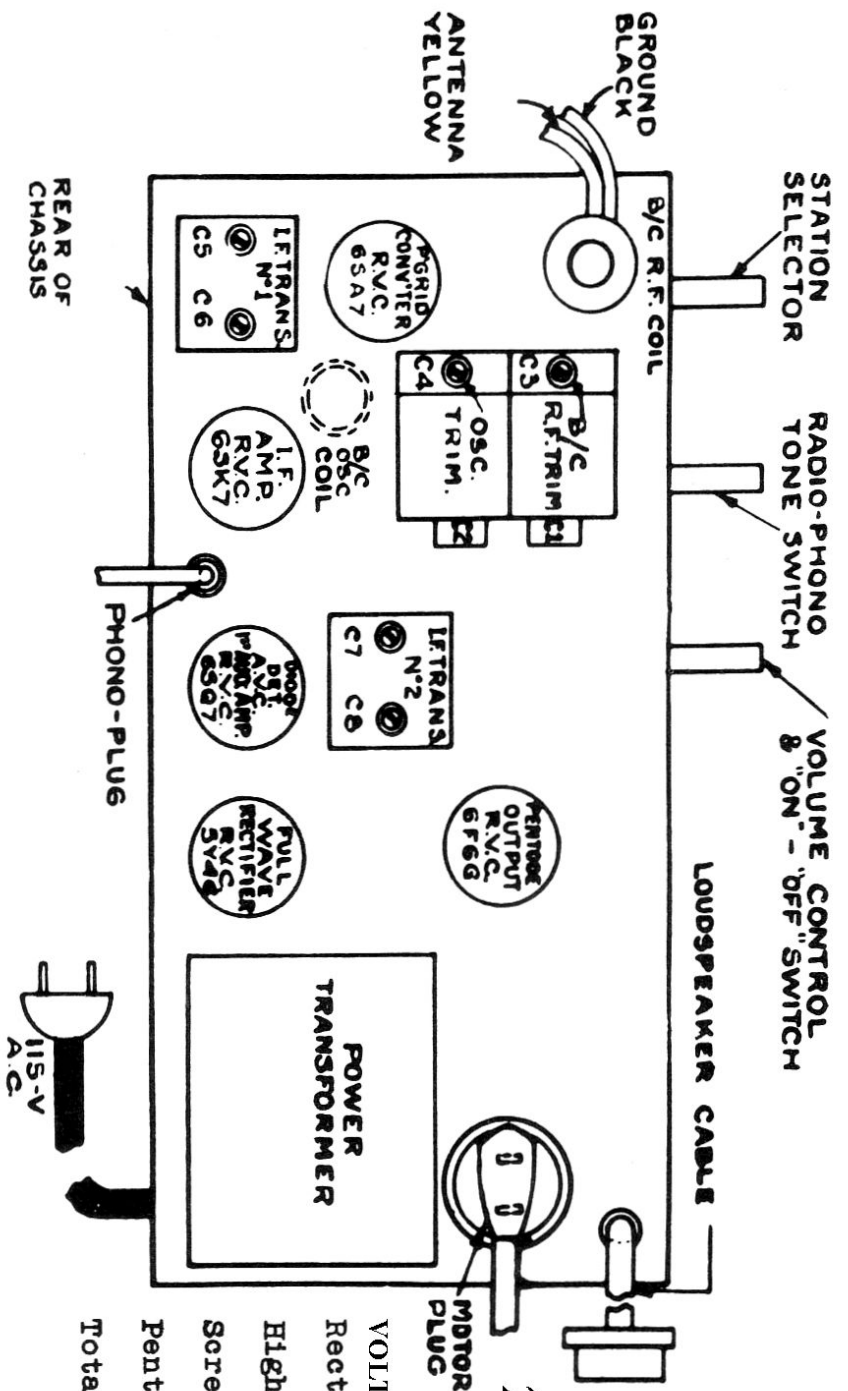
PHONO FILTER
 1M, C-3
 500K
 ONLY AS
 SHOWN BY
 DOTTED LINES

PHONO-AUDIO TONE SM,
 SMOOTH IN MAXIMUM
 ANTICLOCKWISE
 POSITION ON RADIO
 AS VIEWED FROM
 KNOB END CHASSIS
 RIGHT SIDE UP.



Marconi Models

200, 200A, 200B, 200C, 200D



Marconi Models 200, 200A, 200B, 200C, 200D

VOLTAGE & CURRENT DATA

Rectifier Voltage.....	320 V. D.C.
High Tension Voltage.....	240 V. D.C.
Screen Voltage.....	88 V. D.C.
Pentode Bias Voltage.....	15 V. D.C.
Total Current Consumption.....	56 M.A.

SET BAND SWITCH TO	CONNECT S.G. OUTPUT TO	INPUT FREQUENCY	DIAL SETTING	ADJUST	CIRCUITS RESONATED	REMARKS
B.C.	§C.G. 6SA7	462.5 KC	*	C8 & C7 C6 & C5	No. 2 I.F. No. 1 I.F.	Max. Output Max. Output
+B.C. B.C.	A & G A & G	1760 KC 1600 KC	Gang at min. 160	C4 C3	Osc. R.F.	Resonate Max. Output

* Short Osc. Section of gang through 0.1 Mfd.
 + Before proceeding with R.F. Alignment, see that dial pointer is set to last calibration mark at left of dial with gang at maximum capacity.
 § Plug on R.F. Section of gang forms suitable point of connection. For oscillograph alignment, connect oscillograph input across volume control (R.2) and adjust for overlapping double image of max. amplitude