

WARNING Ω = MEG Ω

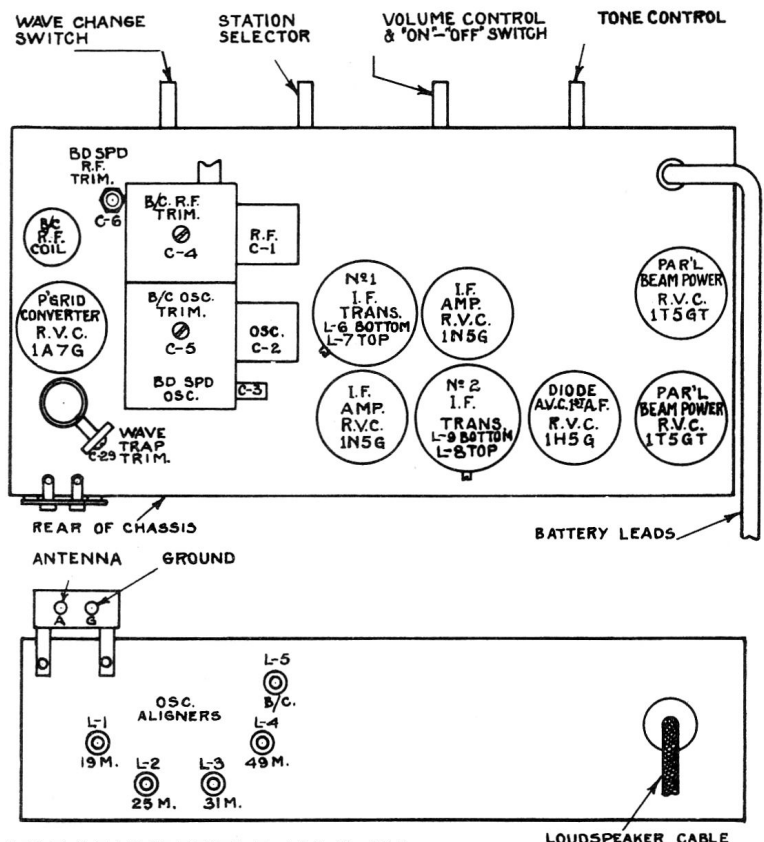
# Marconi Models 198 & 199 Battery Operated Radio

### VOLTAGE READINGS

TUBE	1	2	3	4	5	6	7	8
1A7G	*	1.4	90	48	0	90	0	-
1N5G	-	1.4	60	90	*	-	0	-
1N5G	*	1.4	90	90	-	-	0	*
1H5G	*	1.4	65	*	0	*	0	*
1T5GT	-	1.4	85	90	-0.25	*	0	-
1T5GT	-	1.4	85	90	-0.25	*	0	-

\* Used as anchoring lug only.

## Marconi Models 198 & 199 Battery Operated Radio



### ALIGNMENT DATA FOR MARCONI MODELS 198 & 199

BAND SW SETTING	CONNECT SG OUTPUT TO	INPUT FREQUENCY	DIAL SETTING	ADJUST	CIRCUIT RESONATED	REMARKS
* BC	C.G. 1A7G	462.5 KC	-	L9, L8, L7, L6	IF Input & Output	Max. Output
BC	A & G	462.5 KC	Maximum	C29	Ant. Wave Trap	Min. Output
** BC	A & G	1600 KC	1600 KC	C5	BC OSC.	Resonate
BC	A & G	1600 KC	1600 KC	C4	BC R.F.	Max. Output
BC	A & G	580 KC	580 KC	L5	BC Osc.	Rock Gang
*** 31M.	A & G	9.6 MC	9.6 MC	L3	31M. Osc.	Resonate
31M.	A & G	9.6 MC	9.6 MC	C6	S.W.R.F.	Max. Output
49M.	A & G	6 MC	6 MC	L4	49M. Osc.	Resonate
25M.	A & G	11.7 MC	11.7 MC	L2	25M. Osc.	Resonate
19M.	A & G	15.2 MC	15.2 MC	L1	19M. Osc.	Resonate

\* I.F. ALIGNMENT: Short osc. section of gang capacitor through 0.1 Mfd. For oscillograph alignment, connect oscillograph input across R6. Adjust for overlapping double image of maximum amplitude.

\*\* Before proceeding with R.F. Alignment, see that dial pointer is set over last graduation mark at low frequency end. (Gang to be at maximum capacity).

\*\*\* Note 31 Metre Band must be aligned before any of the other short-wave bands.