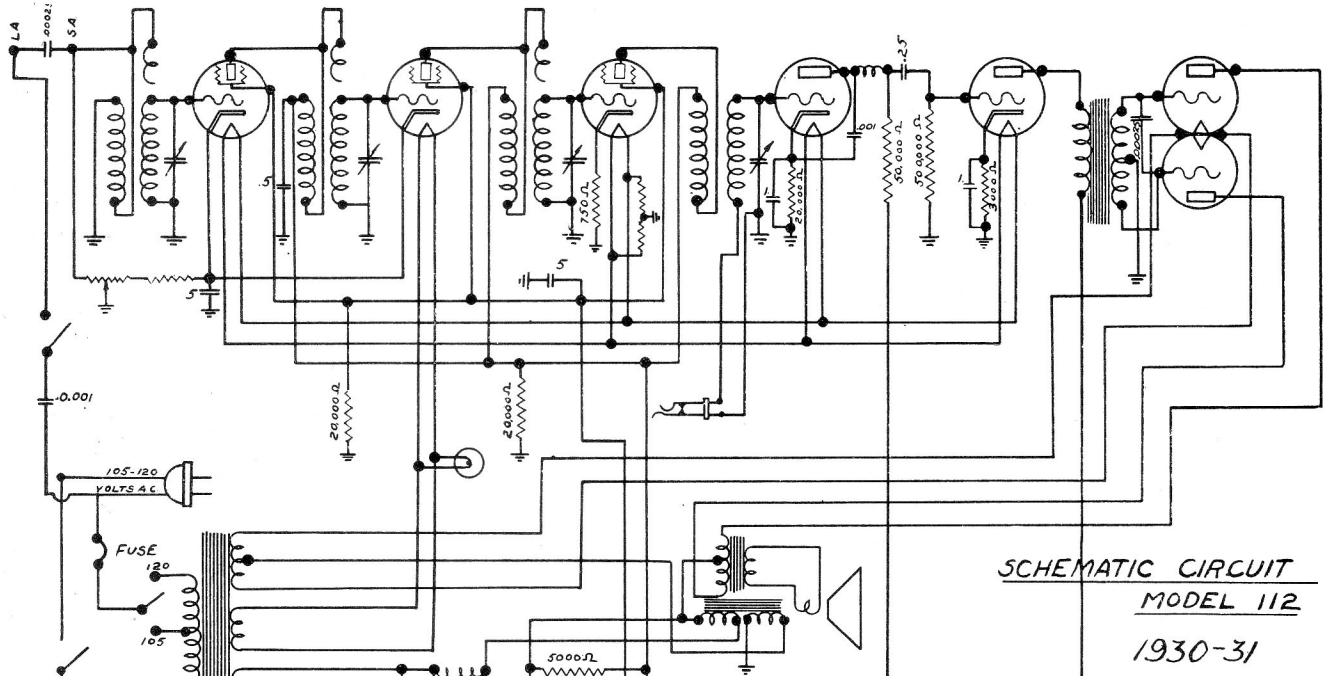


1930-31

Position of Tube	Type of Tube	A Volts	B Volts	C Volts	Cathode	Plate M.A.	Grid Test	Plate Change M.A.	Screen Grid Volts
4th R.F.	224	2.25	195	3.1	3.5	2.2	5.3	3.1	64
DET.	227	2.25	68	8.	8.5	.5	.6	.1	
1st A.F.	227	2.3	172	9.	12.	6.	7.2	1.2	
Push-Pull	245	2.5	208	44		24	28	4.	

SCHEMATIC CIRCUIT
MODEL 111



SCHEMATIC CIRCUIT
MODEL 112
1930-31

Position of Tube	Type of Tube	B Volts	C Volts	Plate M.A.	Plate M.A. Grid Test	Screen Grid Volts
3rd R.F.	224	175	3.5	3.9	6.9	90
DET.	227	110	10	.5	.6	
1st A.F.	227	145	1.	4.6	5.6	
Push-Pull	245	215	43	21	24	

King

MADE BY WILLIAMS PIANO CO. OSHAWA.