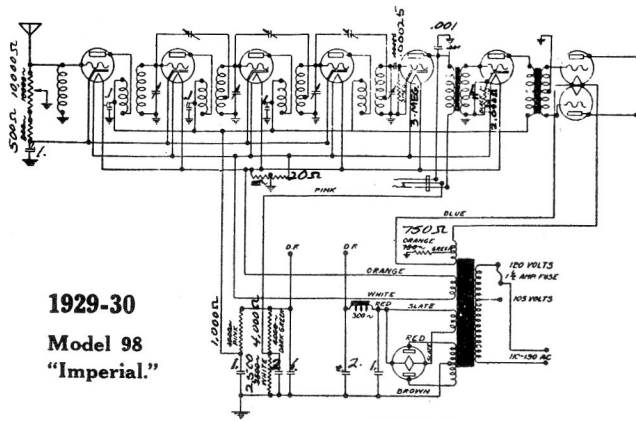
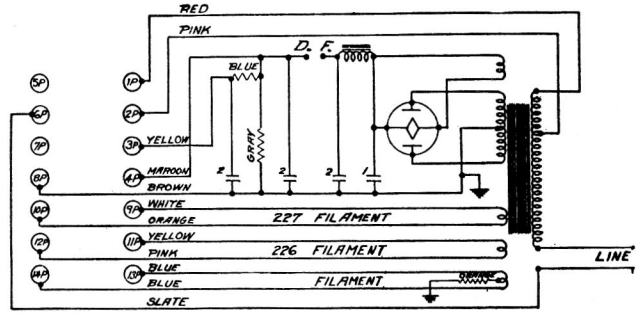


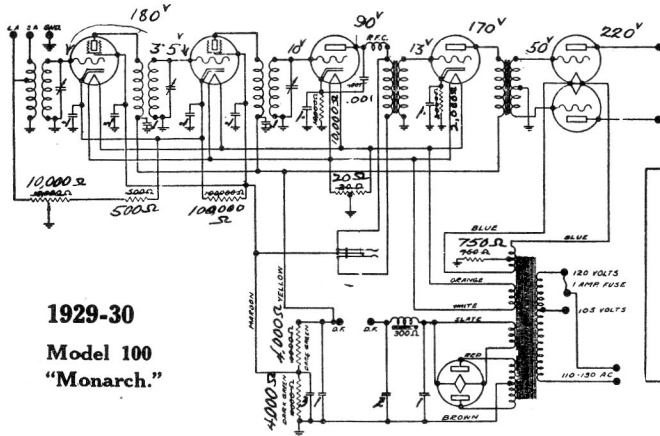
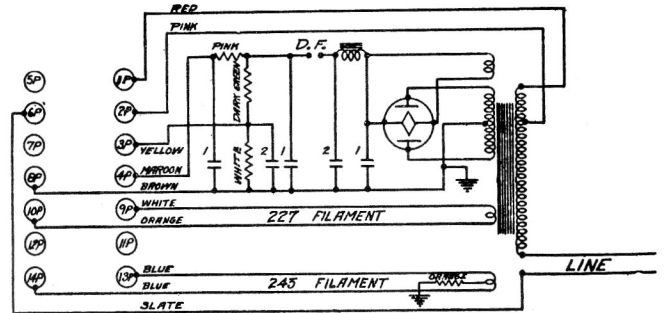
1929-30
Model 97
"Royal" uses
(2) 171A.

SCHEMATIC DIAGRAM
MODEL - 97

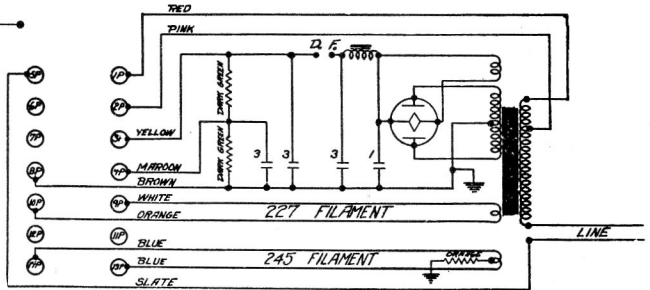


1929-30
Model 98
"Imperial."

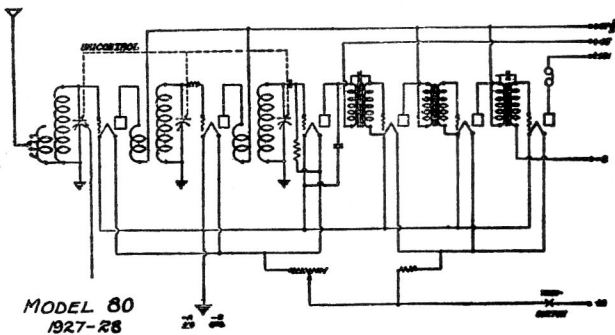
SCHEMATIC DIAGRAM
MODEL - 98



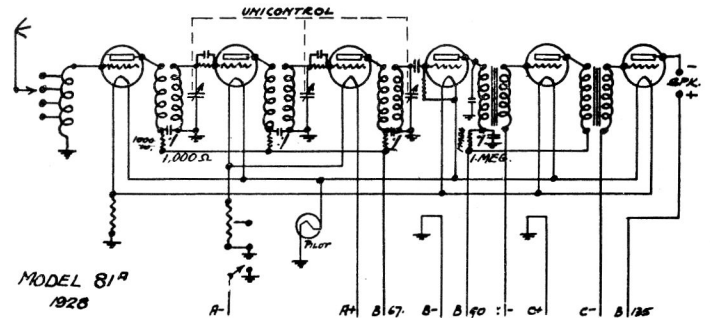
1929-30
Model 100
"Monarch."



MODEL 100 CHASSIS AND POWER UNIT 1929-30



MODEL 80
1927-28



MODEL 81^A
1928