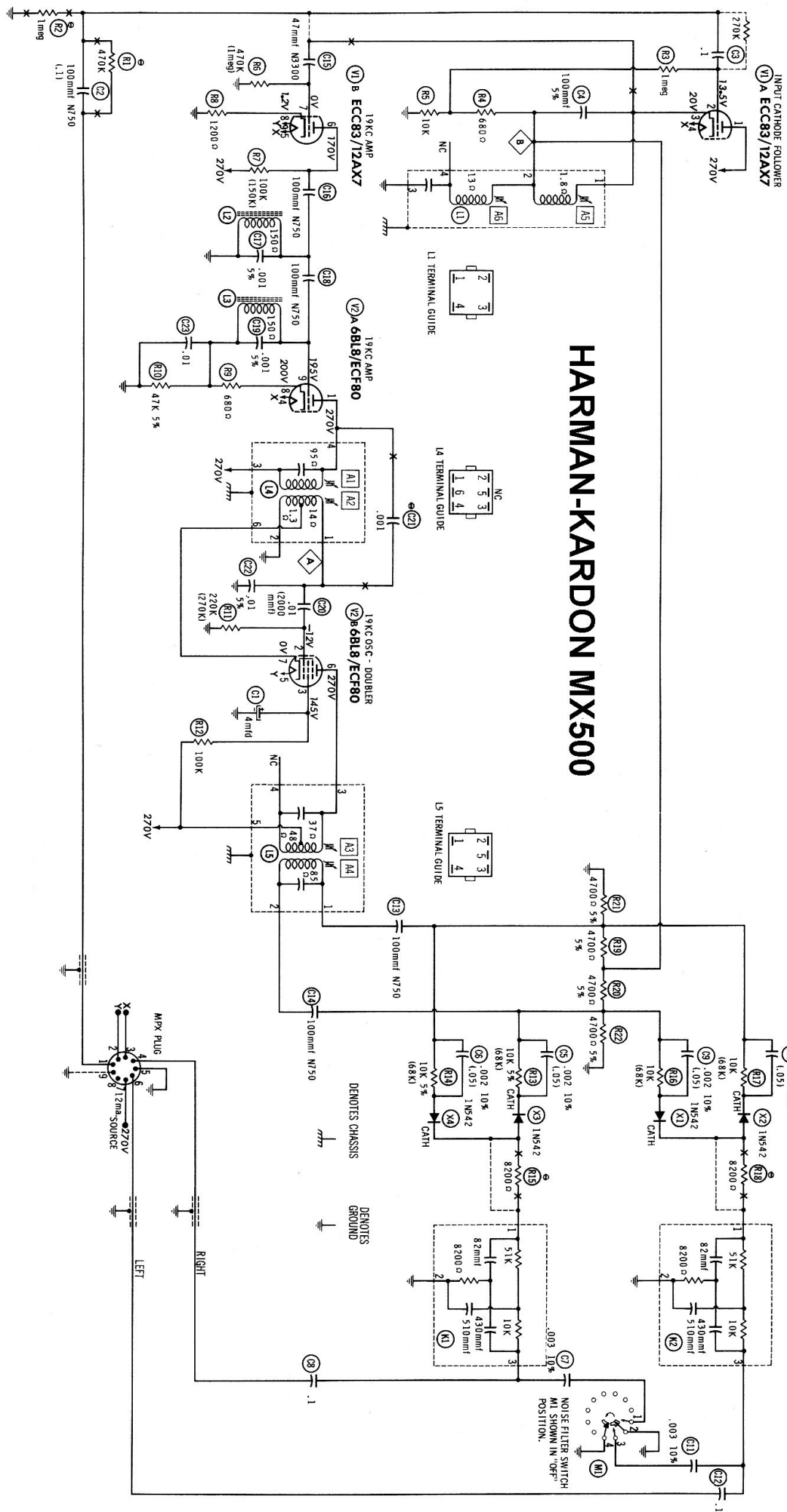
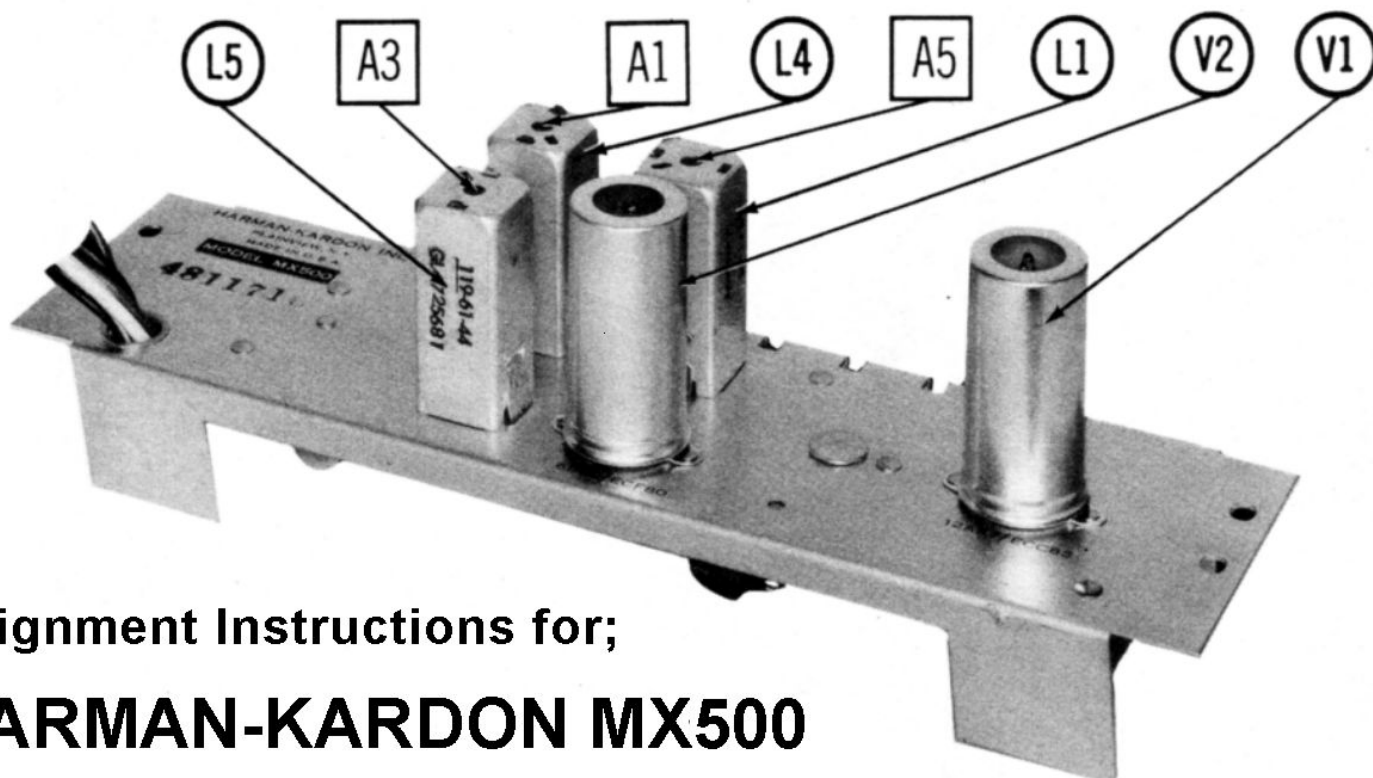


HARMAN-KARDON MX500





Alignment Instructions for; HARMAN-KARDON MX500



ALIGNMENT INSTRUCTIONS

Use only enough generator output to provide a usable indication.

Suggested Alignment Tools:

A1 thru A6..... GENERAL CEMENT #5097, 8727
WALSCO #2515

MULTIPLEX ADAPTER ALIGNMENT USING FM STEREO GENERATOR & AUDIO OSCILLATOR

SIGNAL GENERATOR	CONNECT SCOPE	ADJUST	REMARKS
19KC to Pin 7 of V1, low side to chassis.	Vert. amp. to point  , low side to chassis.	A1, A2	Adjust for maximum deflection. Set scope sweep to lock in 2 cycles.
"	Vert. amp. to point  , low side to chassis.	A3, A4	Adjust for maximum deflection of 4-cycle waveform.
67KC to V1 pin 3, low side to chassis.	"	A5	Adjust for MINIMUM deflection.
38KC to V1 pin 3, low side to chassis.	"	A6	Adjust for maximum deflection.