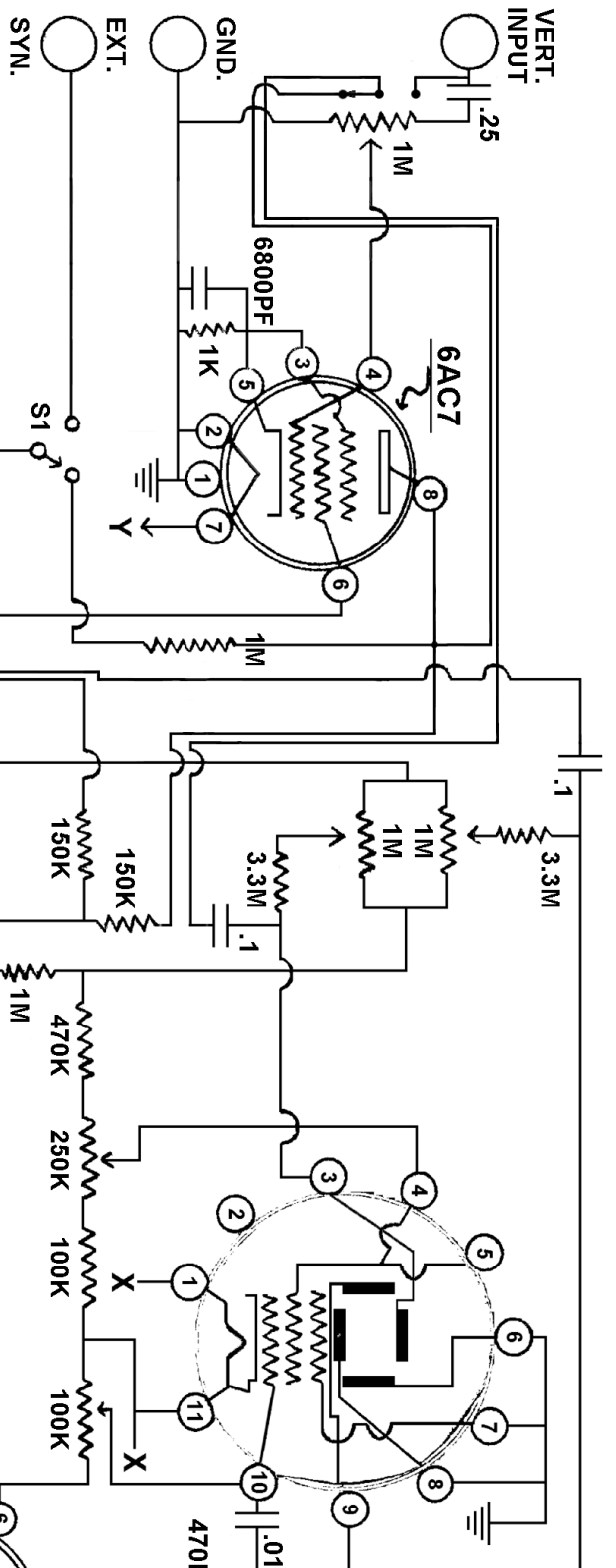
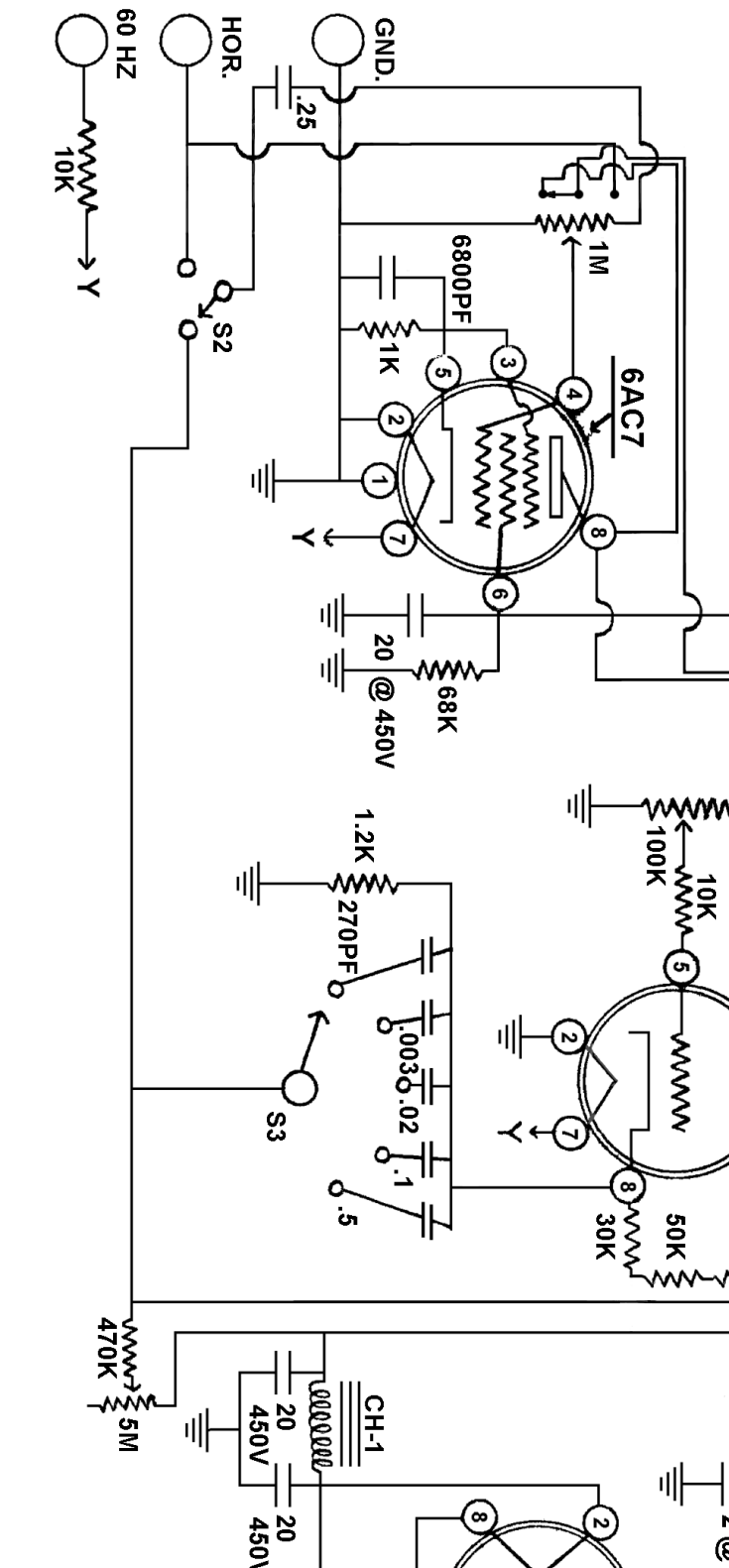


VERT. INPUT



M = 1,000,000 OHMS  
 K = 1,000 OHMS  
 ALL CAPACITORS MFD  
 UNLESS MARKED PF (PF = MMFED)



**HEATHKIT MODEL O-4**  
**OSCILLOSCOPE**  
 The HEATH COMPANY  
 BENTON HARBOR, MICH.  
 Redrawn from Oscilloscope PTV 25/04/14

