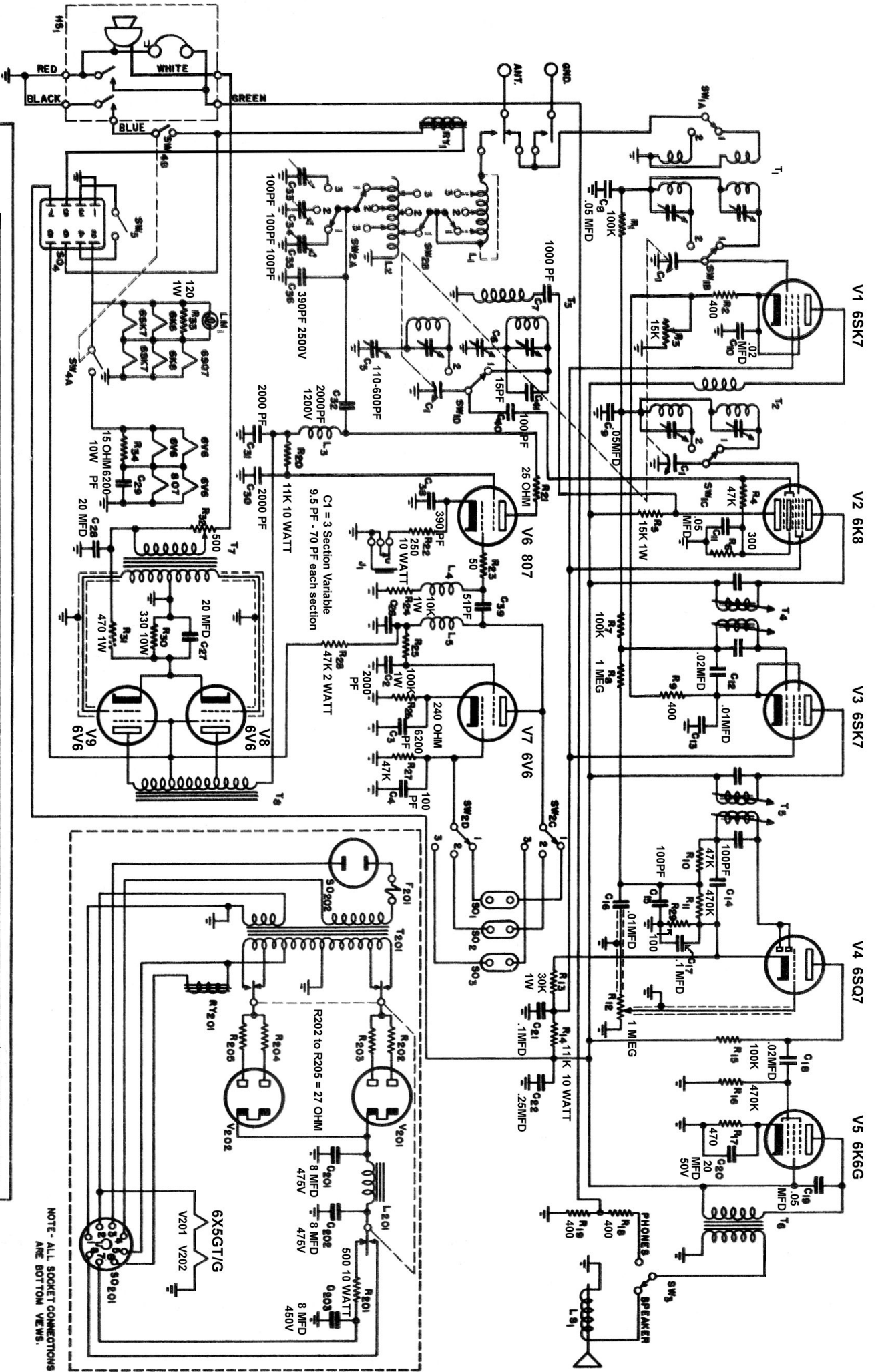


Model HT-11-C Marine Radiophone, schematic diagram.



NOTE - ALL SOCKET CONNECTIONS ARE BOTTOM VIEWS.

K = 1,000
 MEG = 1,000,000
 PF = MMF