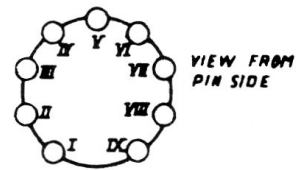
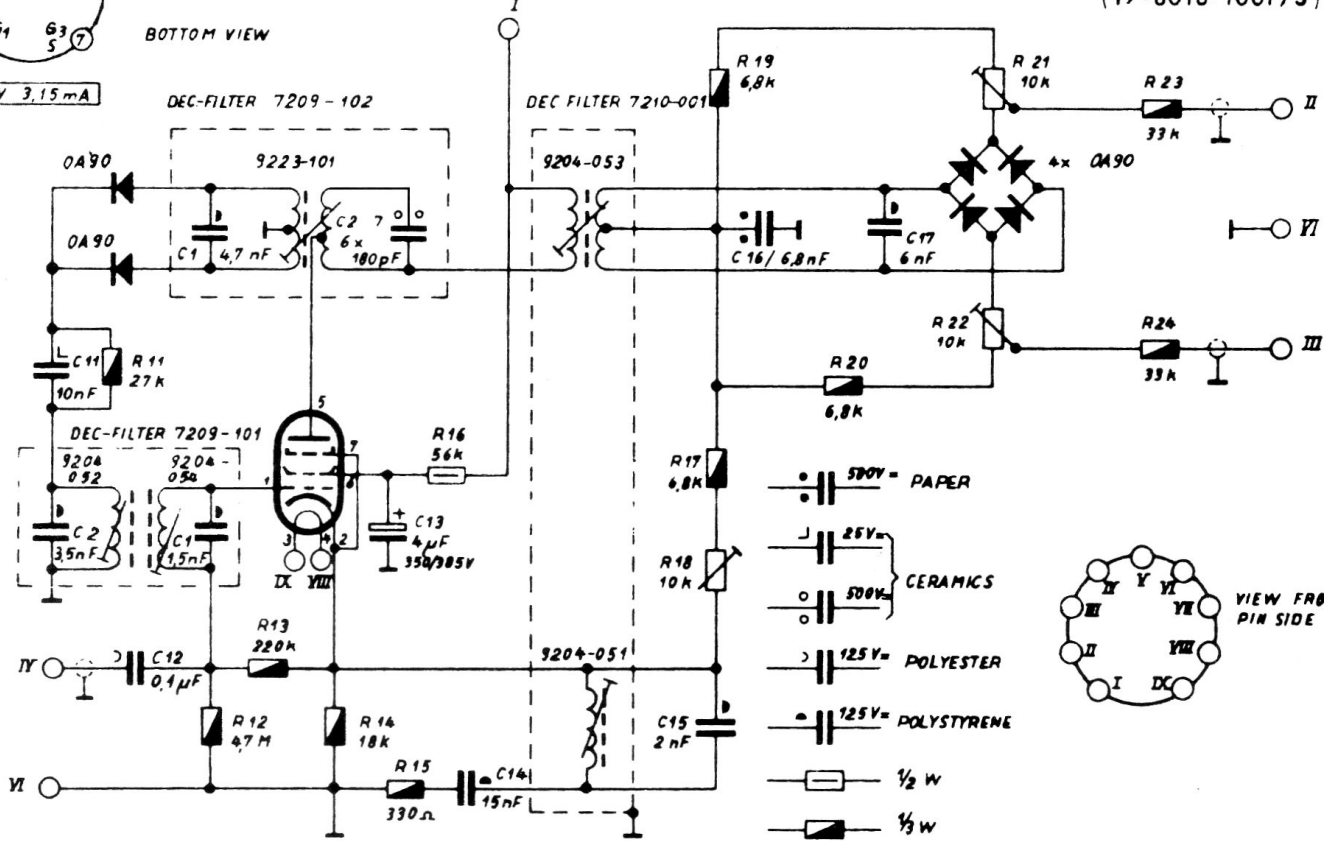
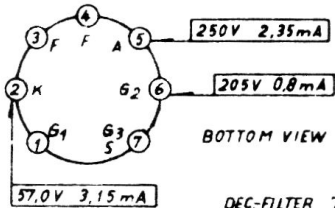


6BH6  
6.3V 0.15A

VOLTAGES MEASURED TO CHASSIS  
WITH GRUNDIG VTM AT 250V =  
MEASURING VALUES VALID FOR CONTACT I  
WITHOUT INPUT SIGNAL

DECODER

(19-8018-1001/S)



|     |     |     |     |     |      |     |     |     |     |     |     |     |     |     |  |  |  |  |
|-----|-----|-----|-----|-----|------|-----|-----|-----|-----|-----|-----|-----|-----|-----|--|--|--|--|
| FC: | 2.  | 1.  | FC: | 1.  | 2... | 7.  |     |     |     |     |     |     |     |     |  |  |  |  |
| C:  | 11. | 12. |     | 13. | 14.  | 15. | 16. | 17. |     |     |     |     |     |     |  |  |  |  |
| R:  | 11. | 12. | 13. | 14. | 15.  | 16. | 17. | 18. | 19. | 20. | 22. | 21. | 23. | 24. |  |  |  |  |

221061He

Fleetwood Grundig SO 290 CA/S  
Speaker Wiring and PU-Attenuator

