

ECC85
6.3V0.435A

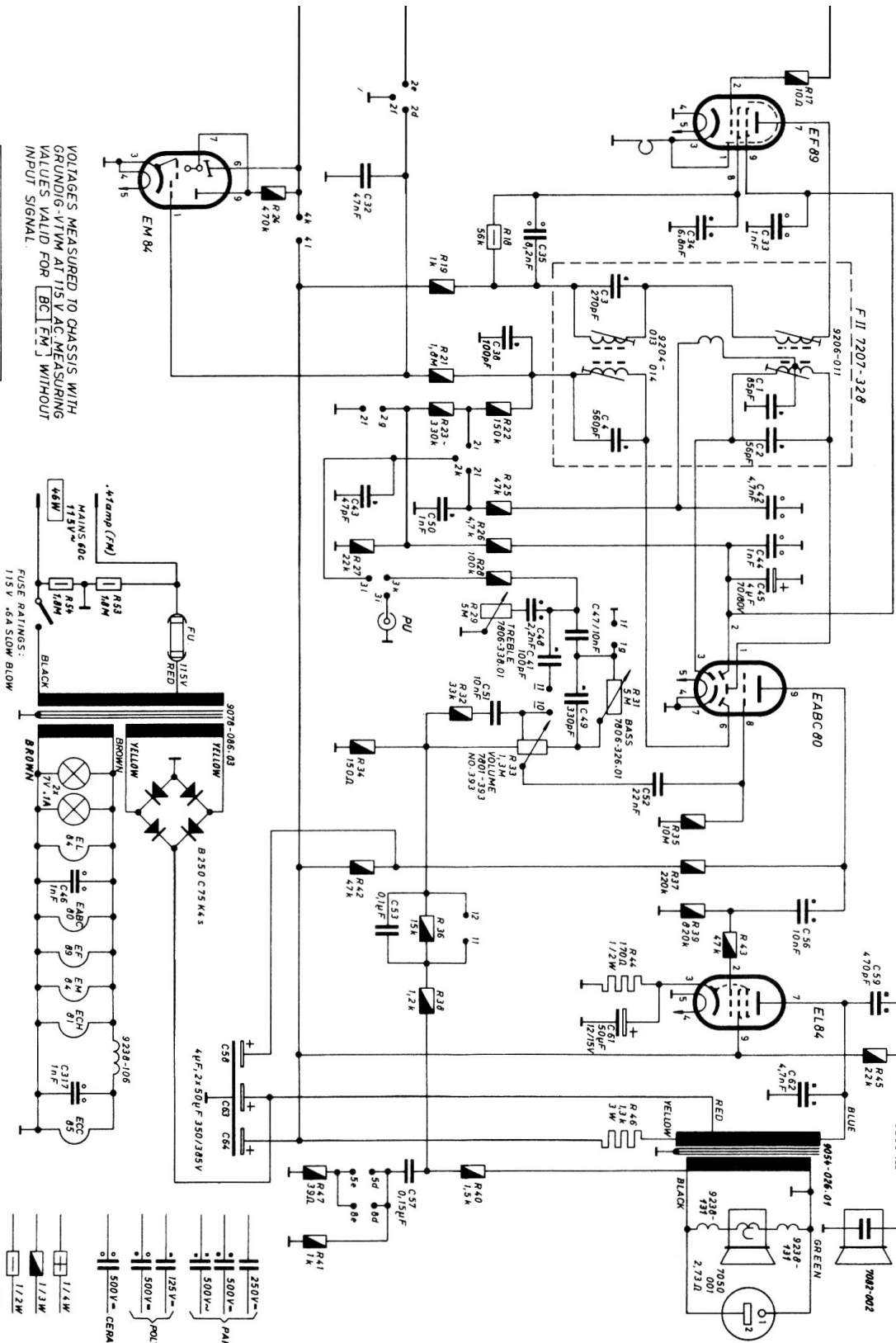
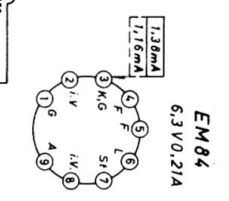
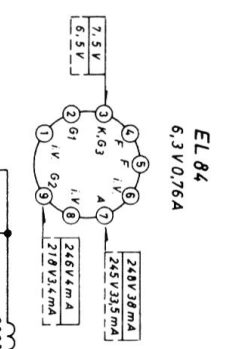
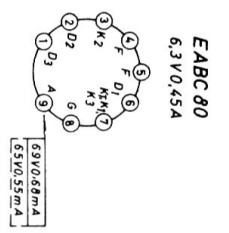
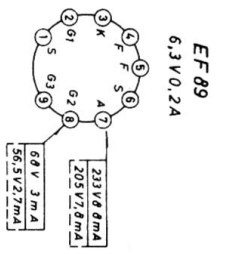
ECH81
6.3V0.3A

WAVE RANGES:
BC 510-1620 KC
SW 5.9-15.8 MC
FW 07-108 MC

FM - COIL SET: 7435-022 IF-107 MC
AM - COIL SET: 7415-206-01 IF-460 KC

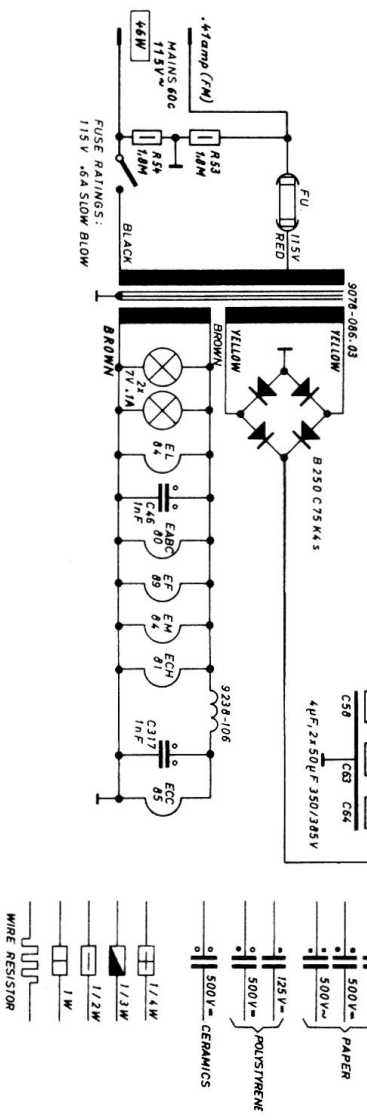
| | | | | | | | | | | | | | | | |
|----|-----------|---------------------|---------|------------------------------|------|------|------|-----|--------------------|--------------------|-------------|-----|-------------|--------------|-------|
| C: | 301, 302, | 303, 304, 305, 306, | 307, 9, | 311, 308, 313, 309, 11, 312, | 7, | 306, | 9, | 10, | 6, 12, 11, 13, 14, | 21, | 19, 22, 26, | 25, | 26, 27, 23, | 20, 29, 319, | 21, |
| R: | 51, | 82, 301, | 302, | 303, | 304, | 305, | 306, | 9, | 10, | 6, 12, 11, 13, 14, | 21, | 15, | 16, | 17, | 2, 4, |

DRAWN SWITCH POSITION "OFF"



VOLTAGES MEASURED TO CHASSIS WITH
GROUNDING - V/T/M AT 115V AC MEASURING
VALUES VALID FOR [BC] [EM] WITH/OUT
INPUT SIGNAL.

ALTERATIONS RESERVED



| | | | | | | | | | | | | | | |
|-----|------------|-----|---------|------------|--------------------|-------------|-----|------------|-----------------|---------------------|------------|-------------|---------|-----|
| 32. | 33, 34, 35 | 36 | 1, 2, 4 | 43, 42, 50 | 44, 45, 46, 47, 41 | 49, 51 | 52 | 46, 56, 53 | 59, 61, 58 | 62, 63, 317, 64, 57 | 46, 40, 47 | 41 | | |
| 24, | 16, | 19, | 19 | 21, 22, 23 | 25, | 26, 27, 28, | 29, | 33, 34, | 31, 32, 33, 34, | 35, | 37, 42, | 39, 36, 43, | 44, 30, | 45, |