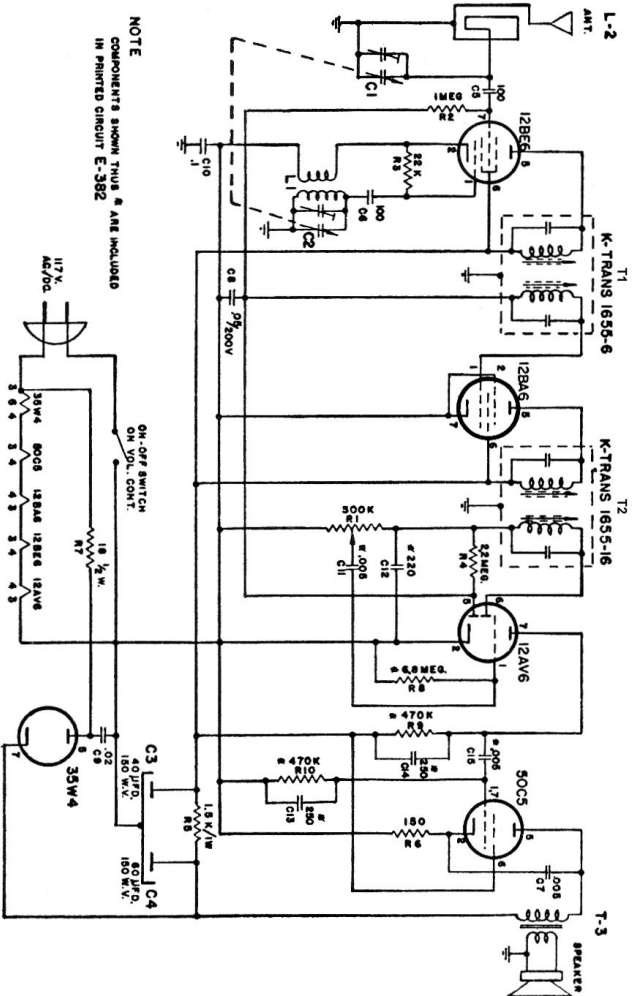


## Fleetwood 51-53

### ALIGNMENT DATA

POSITION OF GANG	GENERATOR FREQUENCY	DUMMY ANTENNA	GENERATOR CONNECTION
Open	455 Kc.	.05 mfd.	Mixer Grid
Open	1650 Kc. (51-53) 1710 Kc. (58-54)	50 Mmf.	*
1400 Kc.	1400 Kc.	50 Mmf.	*
1000 Kc.	1000 Kc.	50 Mmf.	*
600 Kc.	600 Kc.	50 Mmf.	*

\* A loop fashioned of several turns of wire radiating the signal into the receiver antenna or through EXT. ANT. connection.



## Fleetwood 58-54

### ALIGNMENT DATA

POSITION OF GANG	GENERATOR FREQUENCY	DUMMY ANTENNA	GENERATOR CONNECTION	ADJUST TRIMMER (IN ORDER SHOWN)	FUNCTION
Open	455 Kc.	.05 mfd.	Mixer Grid	51-53	I. F.
Open	1650 Kc. (51-53) 1710 Kc. (58-54)	50 Mmf.	*	A3, A4	
1400 Kc.	1400 Kc.	50 Mmf.	*	A1, A2	
1000 Kc.	1000 Kc.	50 Mmf.	*	58-54	
600 Kc.	600 Kc.	50 Mmf.	*		

\* Check point  
\* Check point  
\* Check point