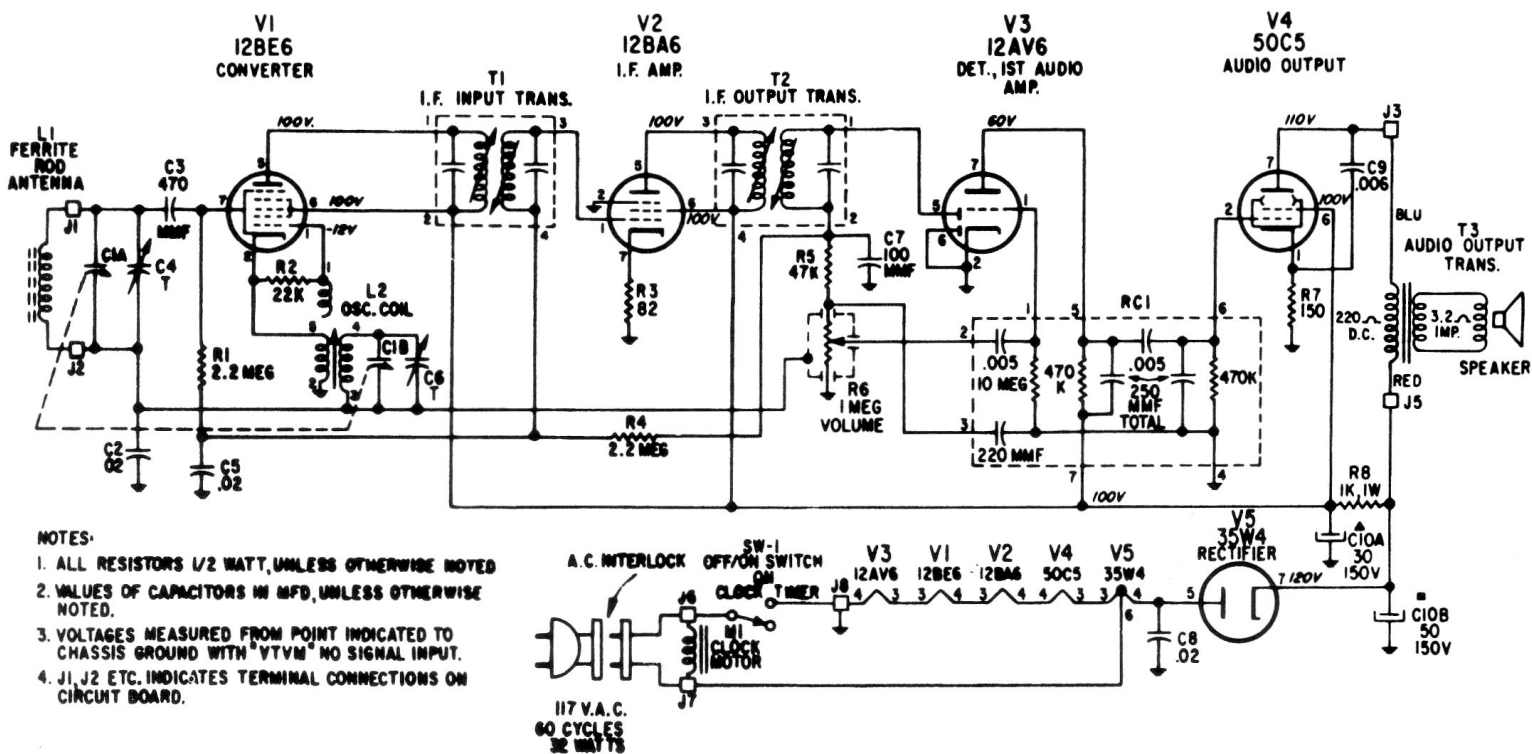


Fleetwood 5054 AM Clock Receiver



Read entire alignment procedure before attempting alignment.

Step	Position of Variable	Frequency of Generator	Dummy Antenna	Generator Output Connection	Adjust For Maximum Output	Functions of Trimmers
1	Open	455 Kc	.05 MF	Mixer Sect. on Variable	T2, T1	I.F.
2	Open	1630 Kc		*Test Loop	C6	Oscillator
3	Closed	530 Kc		*Test Loop	L2	Oscillator
4	Open	1630 Kc		Repeat Step No. 2		
5	1400 Kc	1400 Kc		*Test Loop	C4	Antenna

* Standard Hazeltine Test Loop Model 1150 or 3 turns of wire about 6" diameter, placed about one foot from the set loop.