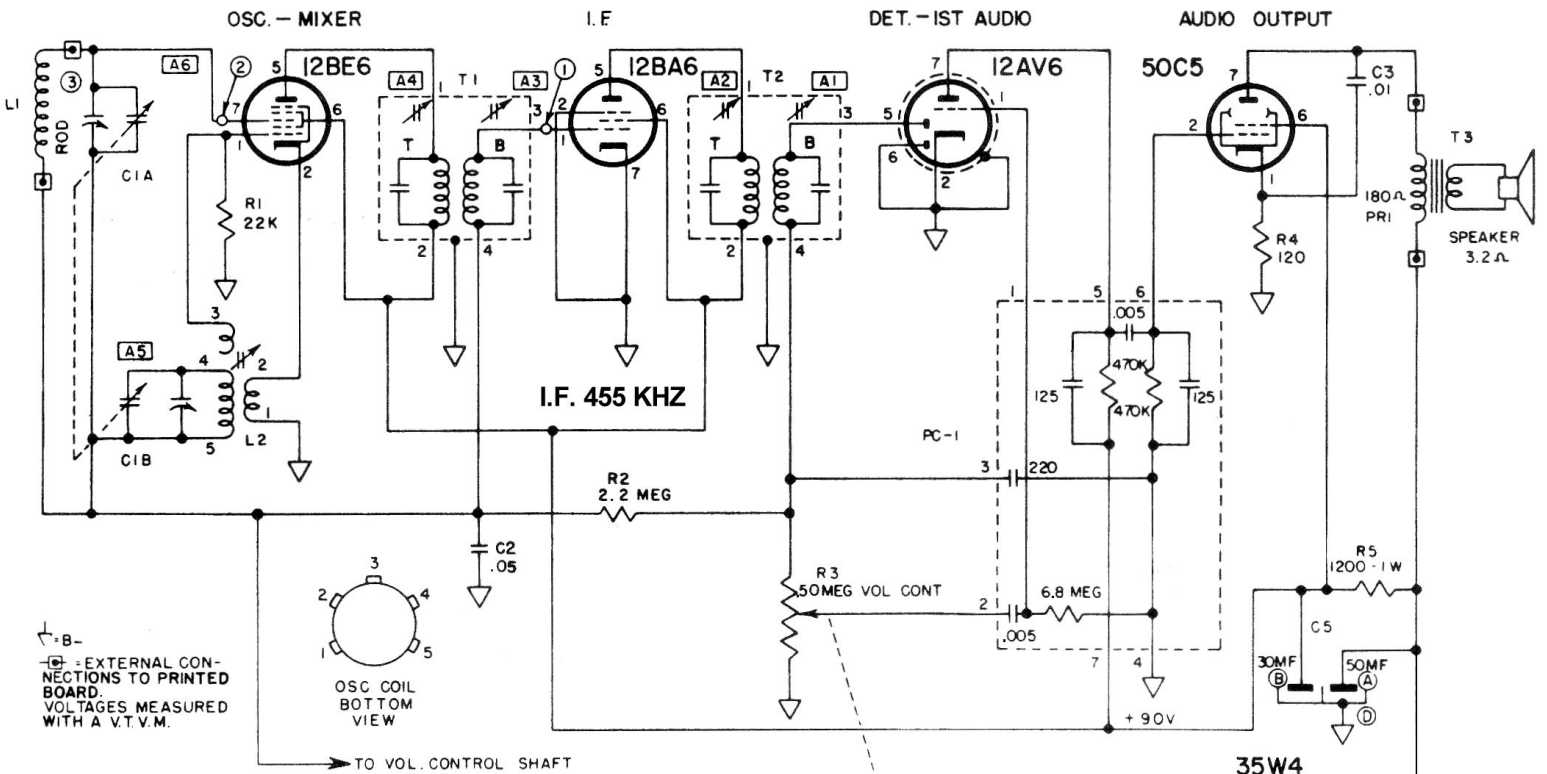
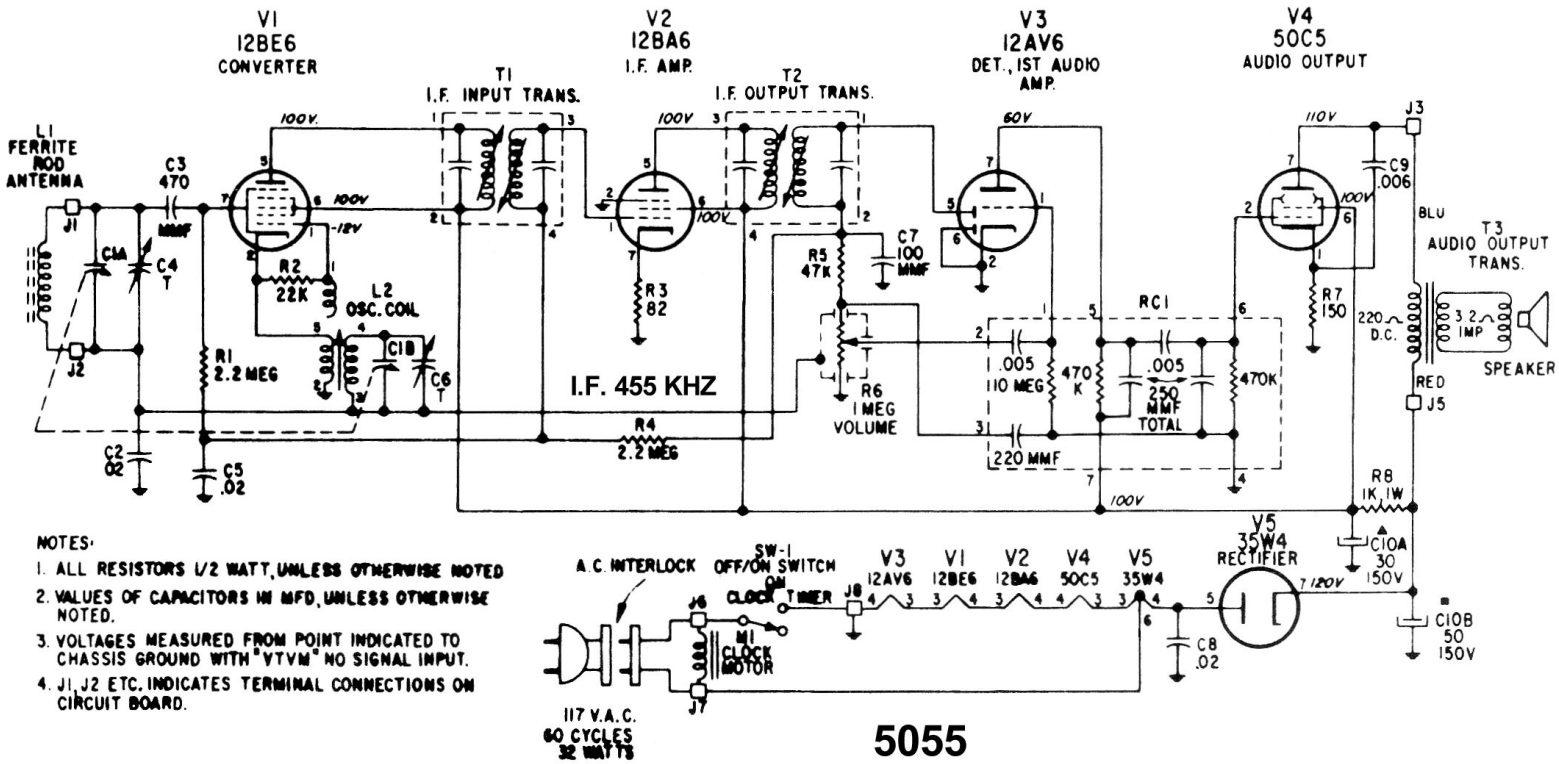


Fleetwood 5049 & 5055



APPROXIMATE SENSITIVITIES

CIRCUIT POINT	DUMMY TO GENERATOR	INPUT FOR 0.5 WATT OUTPUT (0.4 VOLTS ACROSS VC)	INPUT FOR 5 WATT OUTPUT (1.26 VOLTS ACROSS VC)
1	05 μF AT 455 KC	2000 UV	5000 UV
2	05 μF AT 455 KC	60	150
3	STANDARD LOOP AT 1000 KC	200UV/M	500 UV/M