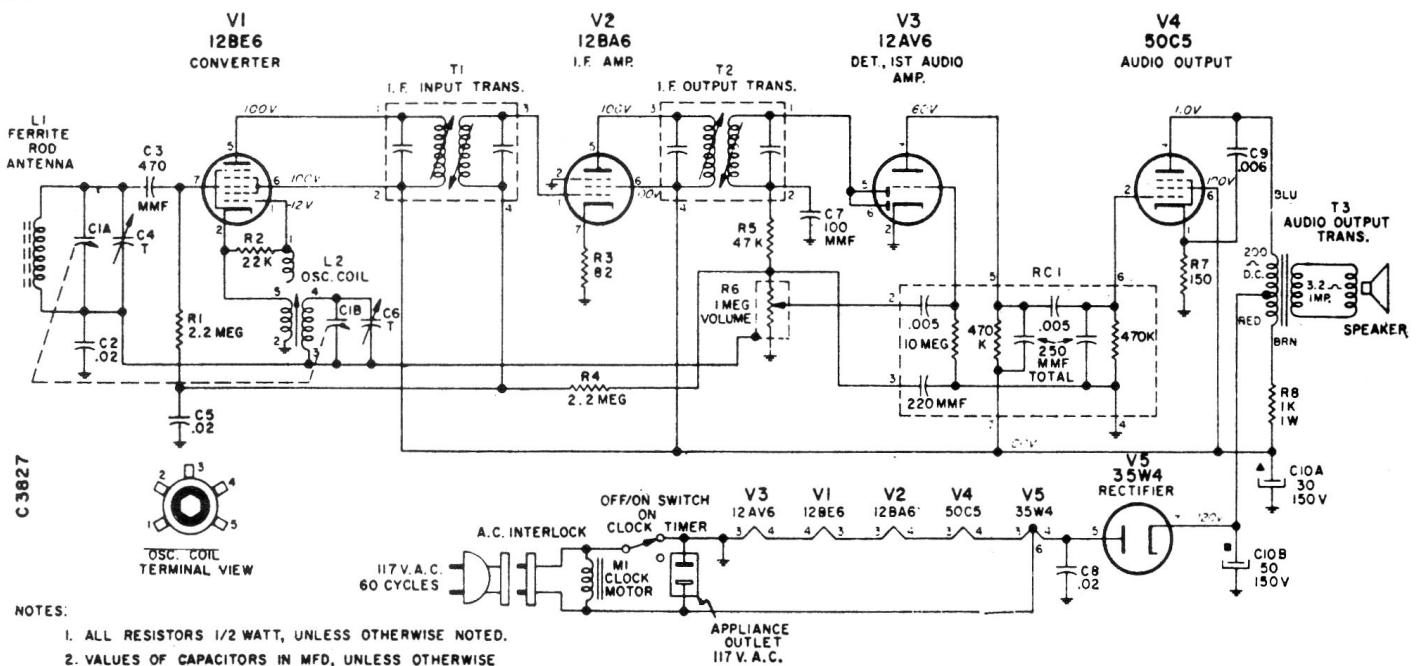
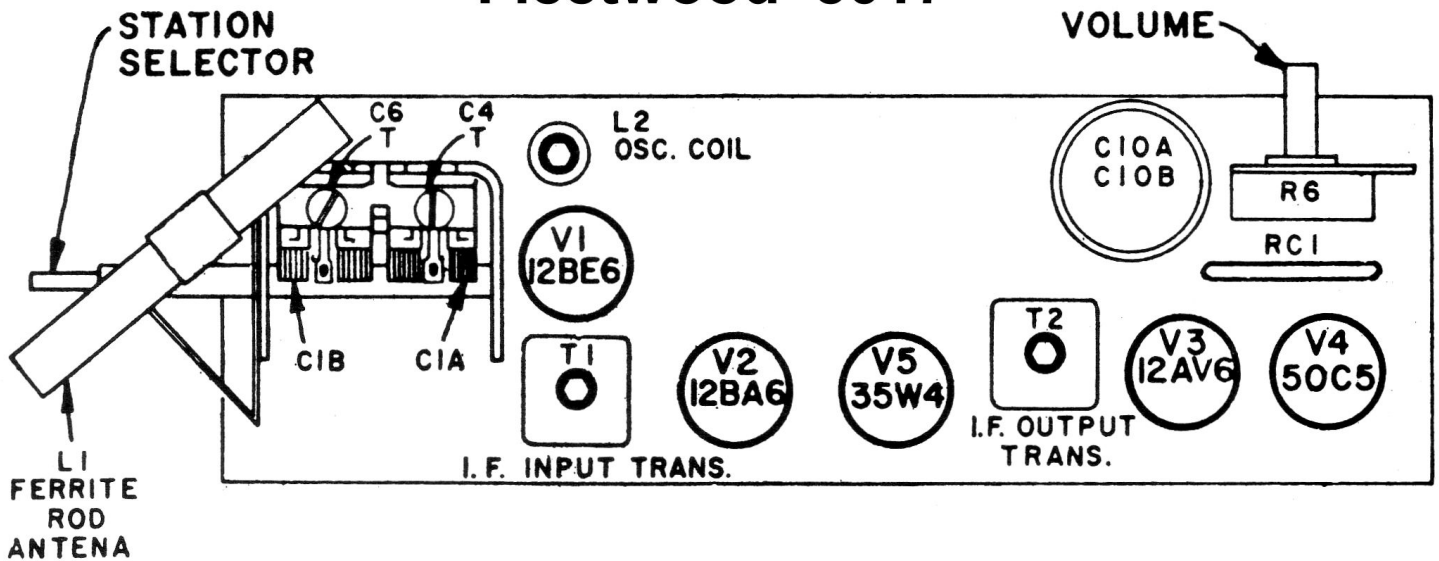


Fleetwood 5017



NOTES:

1. ALL RESISTORS 1/2 WATT, UNLESS OTHERWISE NOTED.
2. VALUES OF CAPACITORS IN MFD, UNLESS OTHERWISE NOTED.
3. VOLTAGES MEASURED FROM POINT INDICATED TO CHASSIS GROUND WITH "VTVM" NO SIGNAL INPUT.

STEP	POSITION OF TUNNING GANG	GENERATOR FREQUENCY	DUMMY ANTENNA	GENERATOR CONNECTION	ADJUST	FUNCTION
1	Open	455 Kc.	.1 mfd.	Pin 1 12BA6	T2 (top & bottom)	I. F. Output Trans.
2	Open	455 Kc.	.1 mfd.	Pin 7 12BE6	T1 (top & bottom)	I. F. Input Trans.
3	Repeat steps 1 and 2 until no further changes occur.					
4	Open	1630 Kc.	.1 mfd.	Pin 7 12BE6	C6 T	Oscillator Trimmer
5	Closed	532 Kc.	.1 mfd.	Pin 7 12BE6	L2	Oscillator Coil
6	Repeat steps 4 and 5 until no further changes occur.					
7	1400 Kc.	1400 Kc.	Hazeltine Loop		C4 T	Antenna Trimmer