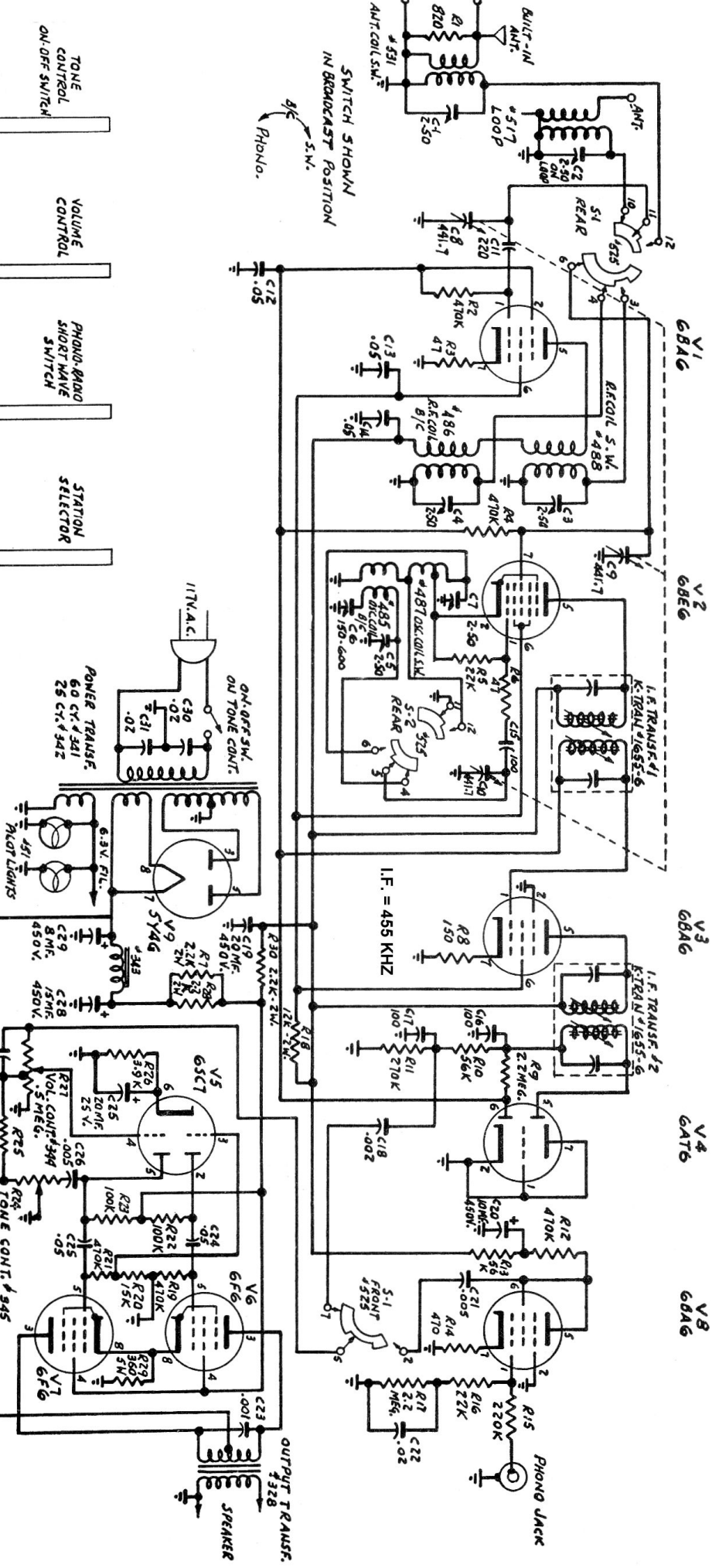
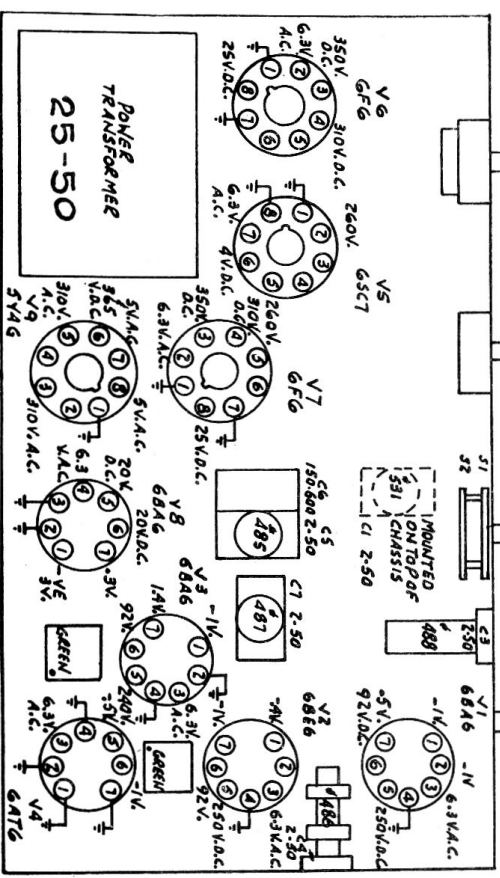


BOTTOM VIEW



SERENADER 5062 BAYCREST HB4 FLEETWOOD 25-50

- NOTES:
1. FOR GANG COND. SEE DWG. #478
  2. FOR ORY ELECT. COND. SEE DWG. #409 (C28, C25, C28, C29)
  3. ALL CAPACITANCES IN WHOLE NUMS IN MMF. UNLESS OTHERWISE NOTED & THOSE IN DECIMAL NUMS IN MF.
  4. ALL RESISTANCES IN OHMS UNLESS OTHERWISE NOTED. "K" = 1000 OHMS.
  5. VOLTAGE READINGS ± 10% TONE & VOL. CONT. SET AT MAX. LOOP SHORTED.
  6. ⚡ DENOTES CHASSIS

