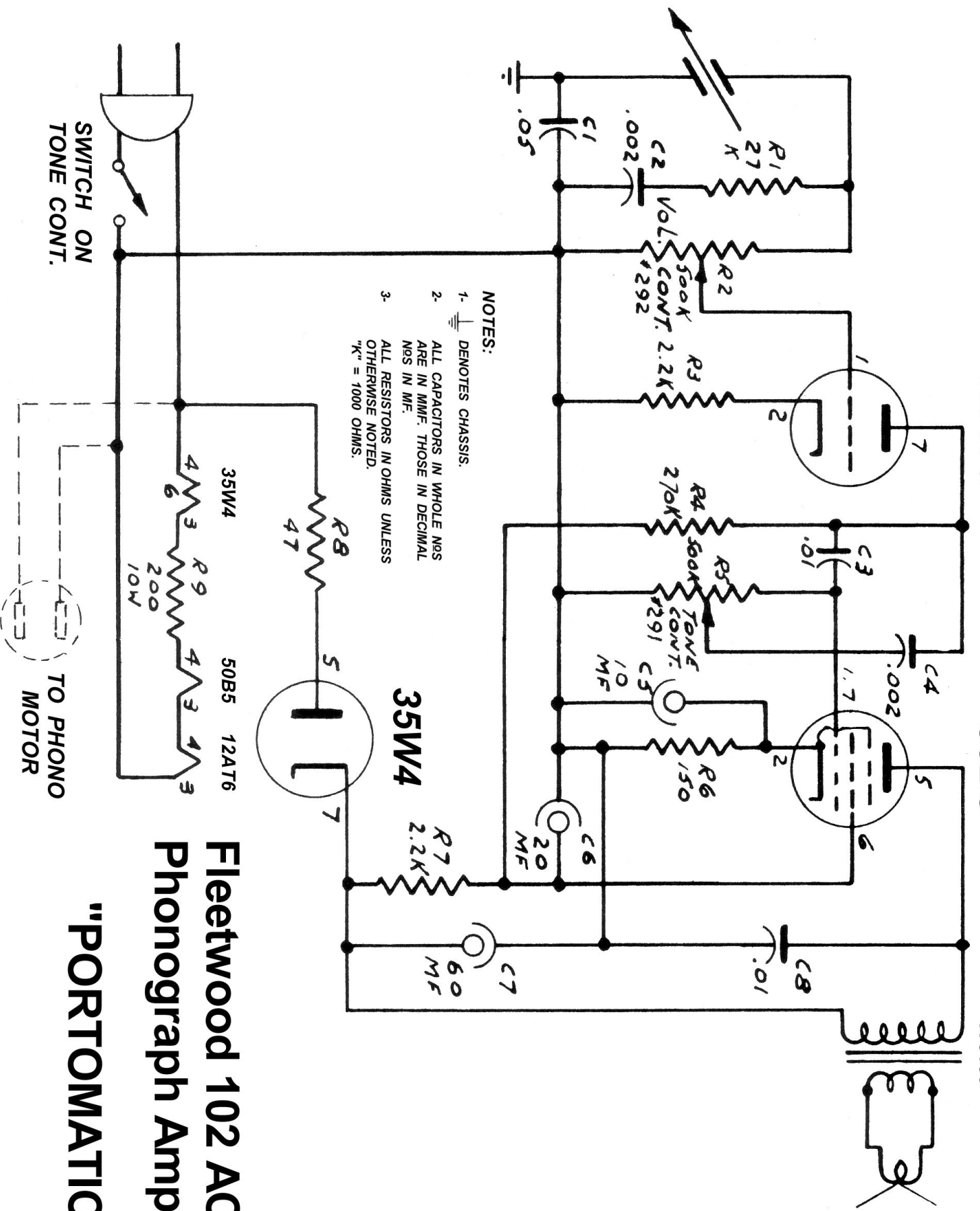


12AT6

50B5

K 3150



NOTES:

- 1- DENOTES CHASSIS.
- 2- ALL CAPACITORS IN WHOLE NOS ARE IN MMF. THOSE IN DECIMAL NOS IN MF.
- 3- ALL RESISTORS IN OHMS UNLESS OTHERWISE NOTED. "K" = 1000 OHMS.

Fleetwood 102 AC/DC Phonograph Amplifier

"PORTOMATIC"

SWITCH ON
TONE CONT.

TO PHONO
MOTOR