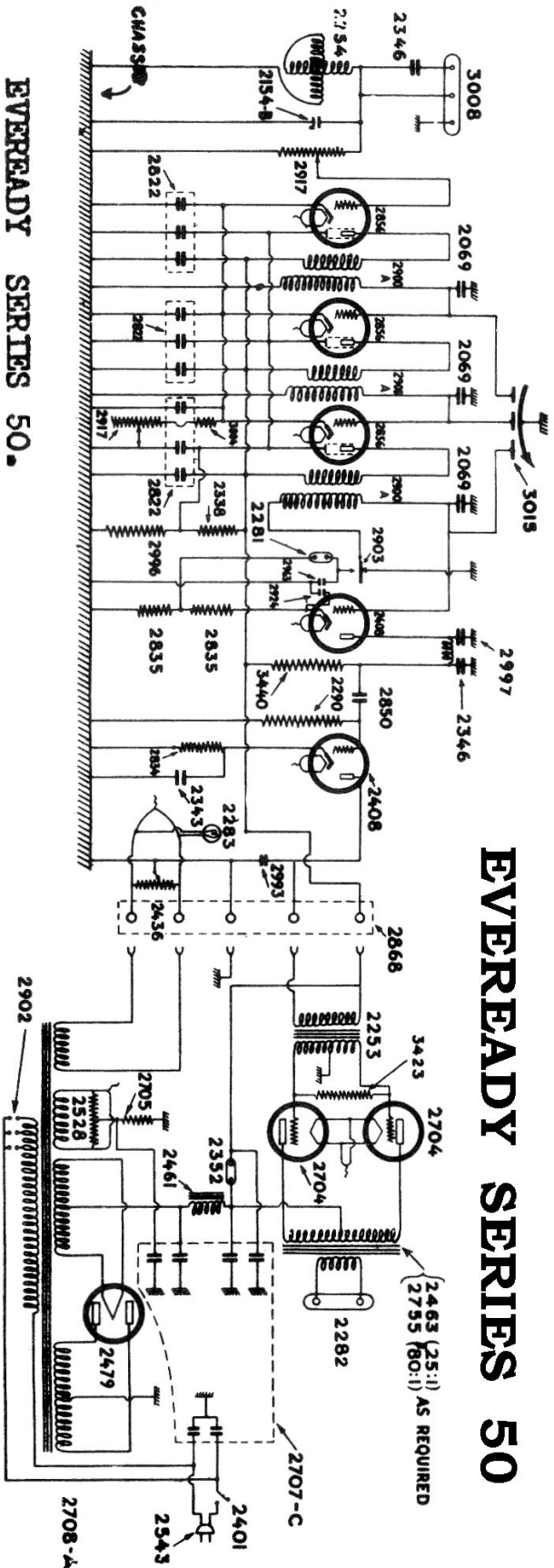


EVEREADY SERIES 50



Part # Elect. Value
 2346 .0001 Mfd.
 2822 (3 IN CAN.) .5
 2924 1.
 2850 .01
 2343 2.
 2963 .002
 2993 .004
 2997 .0005
 2290 2 Megohm
 2835 4000 Ohms
 3440 125000
 3004 200
 2834 5000
 2338 2500
 2996 2250
 2917 500000
 2528 50
 2706 900
 3423 100000

EVEREADY—Series 50 (Screen Grid)
 Line Voltage 117—Set on 115 Volt Tap—Volume Control Position Full

TUBE NO. IN ORDER	TYPE OF TUBE	POSITION IN SET	TUBE OUT		TUBE IN TESTER		CATHODE HEATER PLATE NORMAL M.A. (1) TEST M.A. (2) CHANGE M.A. (3) OUT	SCREEN GRID			
			A VOLTS	B VOLTS	A VOLTS	B VOLTS			C VOLTS (CONTROL GRID)		
1	224	1st RF	2.4	180	2.25	160	3	3.6	8	4.4	70
2	224	2nd RF	2.4	180	2.25	160	3	3.6	8	4.4	70
3	224	3rd RF	2.4	180	2.25	160	3	3.6	7.9	4.4	70
4	227	Det.	2.4	100	2.25	35	3 1/2	1.0	1.1	0.1	-
5	227	1st AF	2.4	180	2.25	160	12 1/2	4	5.5	1.5	-
6	245	Pwr. Amp.	2.5	300	2.4	240	48	25	30	5	-
7	245	Amp.	2.5	300	2.4	240	48	25	30	5	-
8	280	Rect.	5.0	-	4.8	-	-	116	-	-	-

TUBE NO.	TYPE	POSITION
CX-380	Rect.	1st R.F.
CX-345	Rect.	2nd A.F.
CX-345	Rect.	2nd A.F.
C-327	Rect.	1st A.F.
C-327	Rect.	Det.
C-324	Rect.	3rd R.F.
C-324	Rect.	2nd R.F.
C-324	Rect.	1st R.F.

NATIONAL CARBON COMPANY