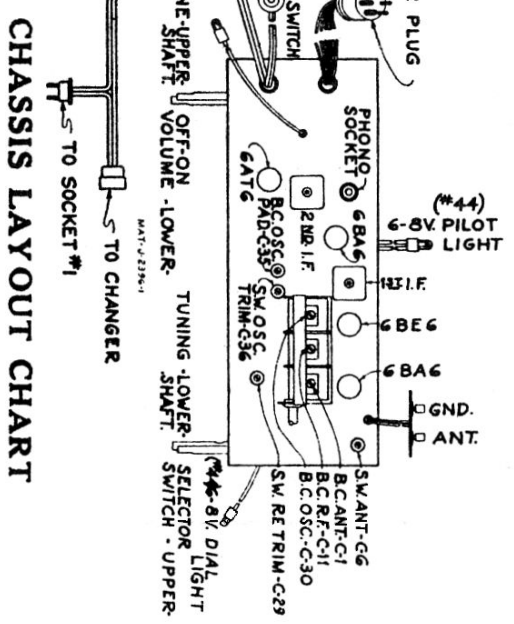
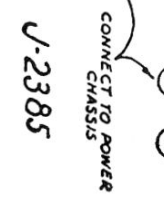
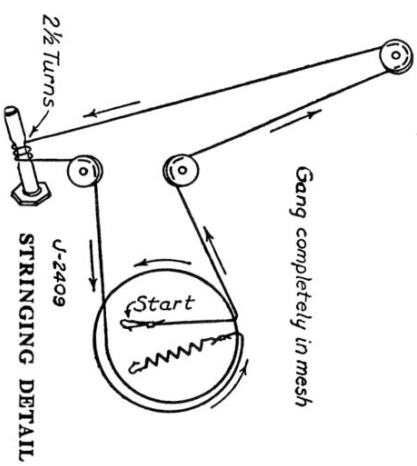
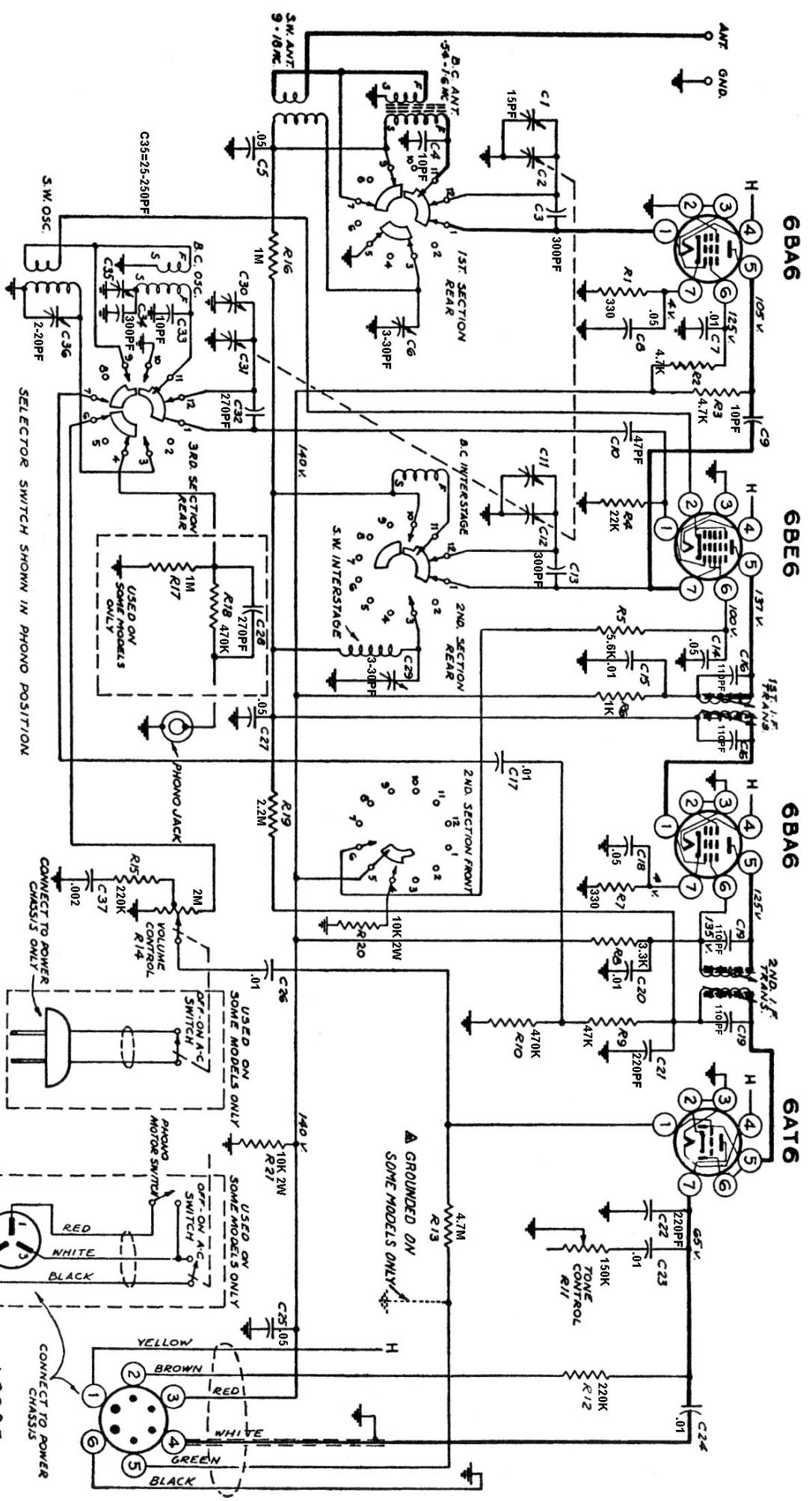
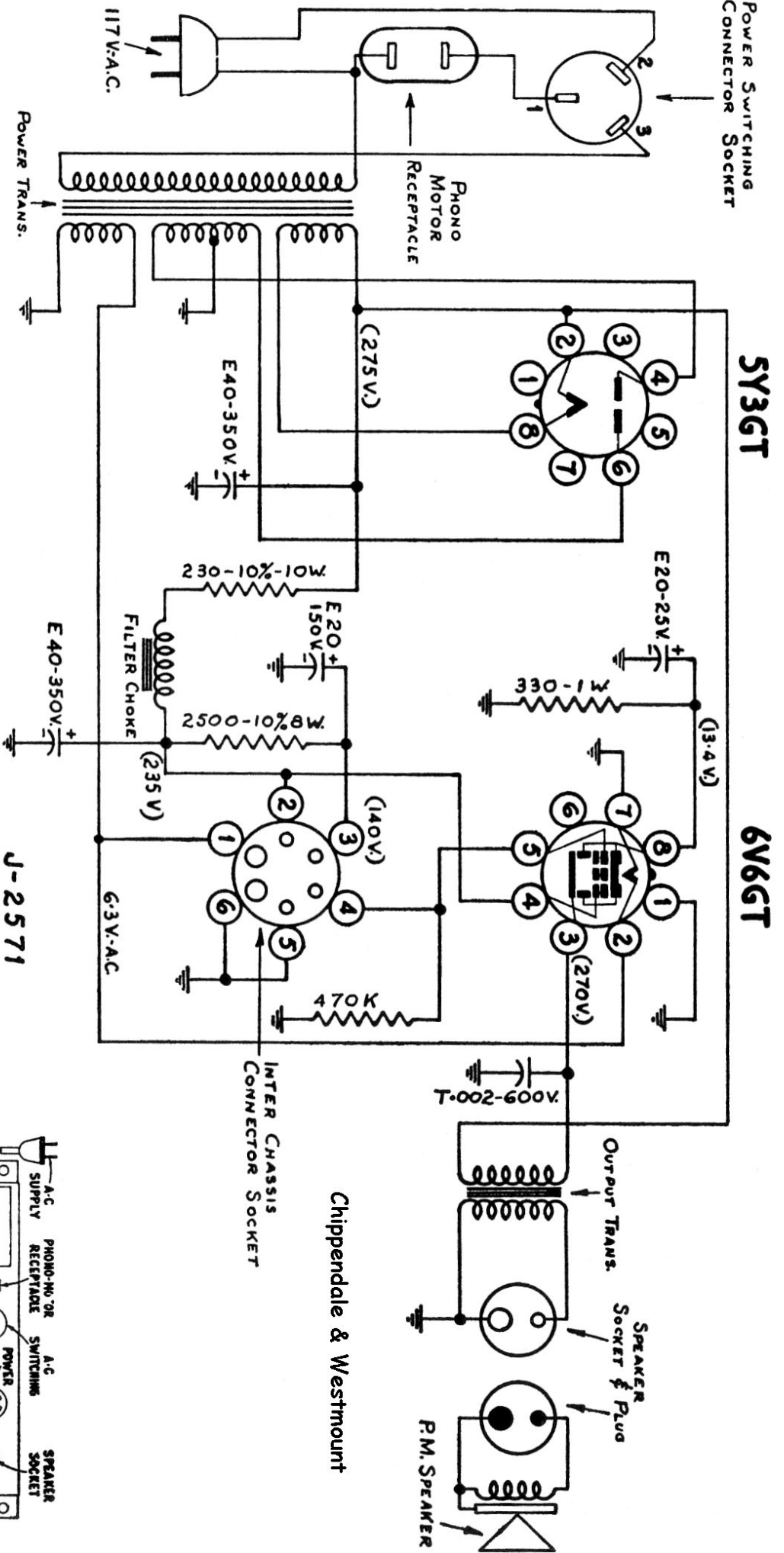


**CHASSIS LAYOUT CHART**

**Electrohome Chippendale & Westmount**





# Electrohme Chippendale & Westmount

