

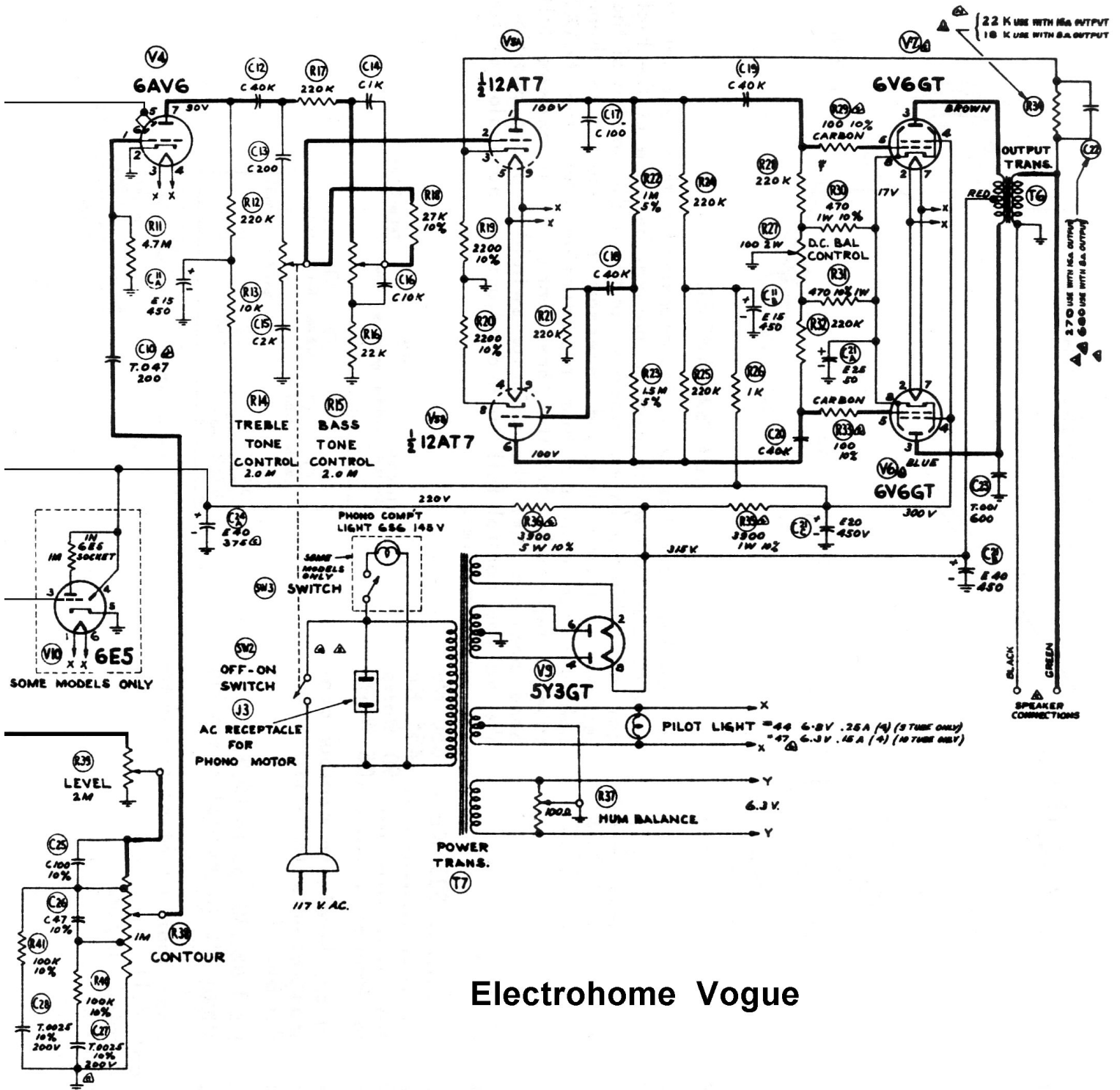
Electrohome Vogue

ALIGNMENT AND SENSITIVITY SIGNAL GENERATOR MODULATED 30% AT 400 CY.						
STEP	APPLY SIGNAL AT KC	TO	TURNS DUMMY	SET GANG AT	ADJUST FOR MAX. OUTPUT	NORMAL SENSITIVITY FOR 500 MW. TONE CONTROLS IN FACT POSITION
1	455	6BA6 IP PIN	.05 μ F	-	2 ND I.F.	6000 μ V
2	455	6BE6 87 PIN	.05 μ F	MIN CAR	1 ST I.F. 2 ND I.F.	200 μ V
3	1460	ANT.	200 μ F	1460 KC	6BA6 INTERSTAGE AND ANT. TRIMMERS	20 μ V
4	600	ANT.	200 μ F	600 KC	6BA6 INTERSTAGE AND ANT. SLUGS	10 μ V
	REPEAT	STEPS 3 & 4	TILL	SET IS PROPERLY ALIGNED		

SWITCH SHOWN IN EXTREME COUNTER CLOCKWISE POSITION SWITCH POSITIONS.

1. FLAT
2. R.I.A.A.
3. 75 EARLY
4. TAPE
5. RADIO, 10 KC FILTER OUT
6. RADIO, 10 KC FILTER IN

ALL VOLTAGES $\pm 10\%$ MEASURED TO B- WITH 20,000 OHM/VOLT METER, 117 VOLT 60 CYCLE LINE AND ZERO SIGNAL INPUT



Electrohome Vogue

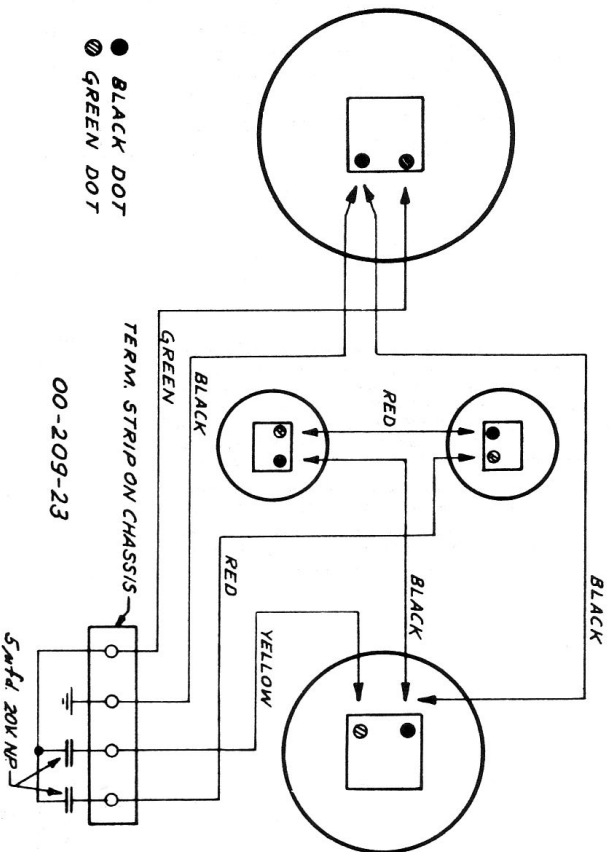
COMPONENT VALUES
 RESISTORS: HALF WATT, UNLESS OTHERWISE SPECIFIED.
 20% TOLERANCE, UNLESS OTHERWISE SPECIFIED.
 K = 1000 OHMS.
 M = 1000,000 OHMS.
 CONDENSERS: T = TUBULAR, FOLLOWED BY CAPACITY IN MFD AND D.C.V.
 E = ELECTROLYTIC, FOLLOWED BY CAP IN MFD AND D.C.M.K.
 C = CERAMIC, FOLLOWED BY CAP IN M.MFD & TOL. IF CRITICAL.
 M = MICA, FOLLOWED BY CAP IN MMFD & TOL. IF CRITICAL.
 T.C. = TEMPERATURE COMPENSATED.

CONNECT D.C. VOLTMETER ACROSS OUTPUT TRANSFORMER PRIMARY AND ADJUST A.C. BALANCE CONTROL FOR ZERO VOLTAGE.

- NOTES ON ANTENNA CIRCUIT**
1. SHORT OUT ANT. TERMINAL TO GND WHEN SET IS OPERATED ON LOW IMPEDANCE LOOP ALONE.
 2. IF AN EXTERNAL ANT. IS TO BE USED REMOVE SHORT FROM ANT. TERMINAL AND CONNECT ANTENNA TO ANTENNA TERMINAL.
 3. FOR ACCURATE ALIGNMENT THE LOW IMP. LOOP SHOULD BE CONNECTED AS INDICATED. HOWEVER IF THIS IS INCONVENIENT AN EQUIVALENT INDUCTANCE AND CAPACITY IN PARALLEL MAY BE SUBSTITUTED FOR THE LOW IMP. LOOP. THE CAPACITY BEING 17 pF AND THE INDUCTANCE 4.4 μH. 4.4 TURNS OF #22 PLASTIC COVERED WIRE CLOSE WOUND ON A 2" DIA. FORM WITH 6" LEADS WOULD BE SUITABLE.

CN. NO.	DATE	CHANGE	SYMBOL	CN. NO.	DATE	CHANGE	BY	CHECK	MODEL
57-1116	12-11-57	CAG DELETED(S) SPRK CONNS SEQUENCE CHANGED	6	27-297	9-22-57	ADDED (C46)(6); #47 PILOT LIGHT (4); WAS: 450V(C); WAS: 350V			AC-300
		R34 & C22 NOTES: TRANS IMPEDS WERE MODEL TYPES	4			GROUND ADDED (4); WAS: 22K (1); 270 Ω (1)			AC-311
						V6 WAS 17 (4) V7 WAS 16 (2)			
						C10 WAS 40 (1)			
						C11 WAS 20 (1)			
						C24 WAS 22K OHM (2) C22 WAS 22K OHM (2) C23 WAS 22K OHM (2)			
						WAS T47 400 (C35) (C37)			
						WAS C47 (1); WAS 20% (1); WAS 50 Ω (1)			

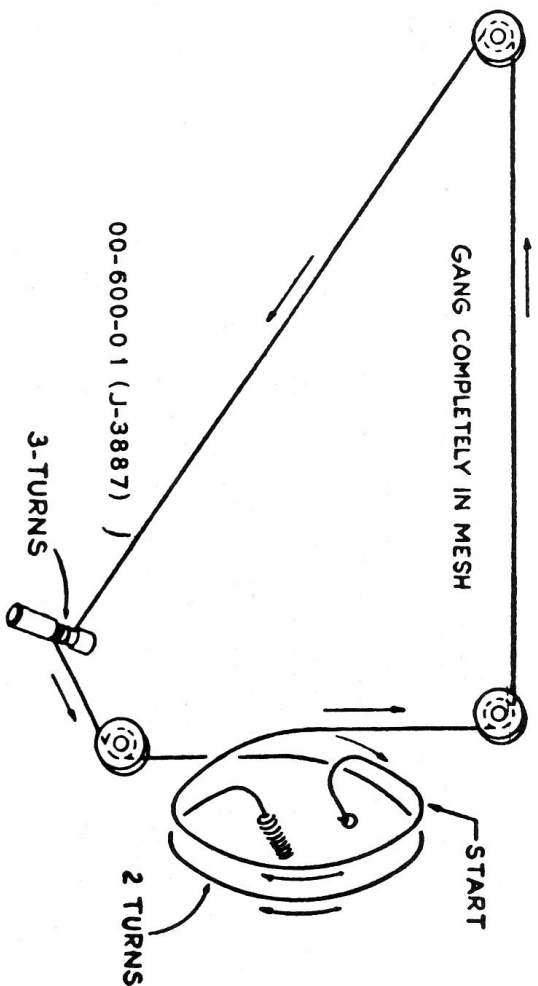
SPEAKER CONNECTIONS



SPECIFICATIONS

- * Harmonic Distortion - Less than 1% at normal operating levels.
- * Intermodulation Distortion - Less than 1% at normal operating levels (60 and 3000 cps. 4:1)
- Hum and Noise - 80 db. below rated output.
- Maximum Power Output - 15 Watts.
- Undistorted Power Output - 10 Watts.
- * With matched output Tubes \pm 5%.

Electrohome Vogue



HUM BALANCER

A Hum-Balancer has been incorporated in this receiver to balance out hum which may be present because of the high gain and wide frequency response of the audio portion of the receiver. It may be found necessary to re-adjust the hum-balancer for minimum hum reproduction when the 12AX7 tube is replaced. Set the tone control in its extreme left hand position, turn the selector switch to phono position, the volume control full on and adjust the hum-balancer for minimum hum level.

