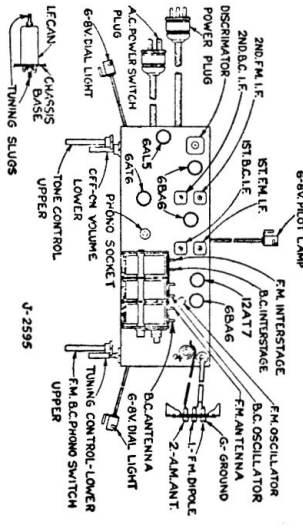


Electrohome Princess FM & Tempora FM



CHASSIS LAYOUT CHART

Nominal Secondary in Microvolts per 500 Milliwatts Output Signal Modulated 20% at 400 C.P.S. for F.M. Equivalency Total Watt (A.C.)

AMPLIFIED TO	PERIODICITY	455 KC.	1000 KC.	10.7 MC.	100 MC.
5 BAG (2nd I.F.)	$1.1 \mu V$				
6 BAG (1st I.F.)	$1.1 \mu V$	3500			50000
12 AT 7 (2nd A.F.)	$1.1 \mu V$		140		
6 BAG (6th I.F.)	$1.1 \mu V$			21	30
A.M. ANT.				3	
F.M. ANT.					15

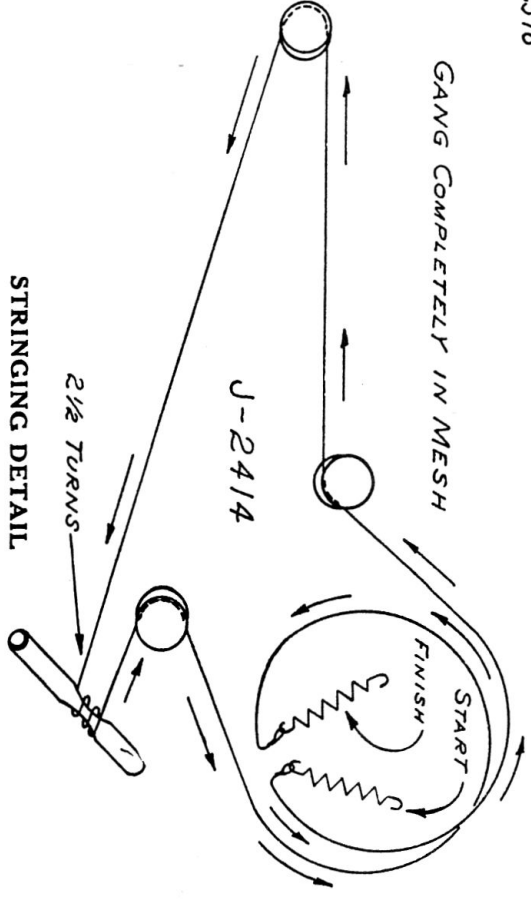
FOOTNOTE:
 (1) WITH F.M. INTERSTAGE COIL DISCONNECTED FROM SELECTOR SWITCH.
 (2) MUST BE NON-INDUCTIVE CARBON RESISTOR AS STANDARD WIRE WOUND RESISTOR WILL GIVE FALSE RESULTS.

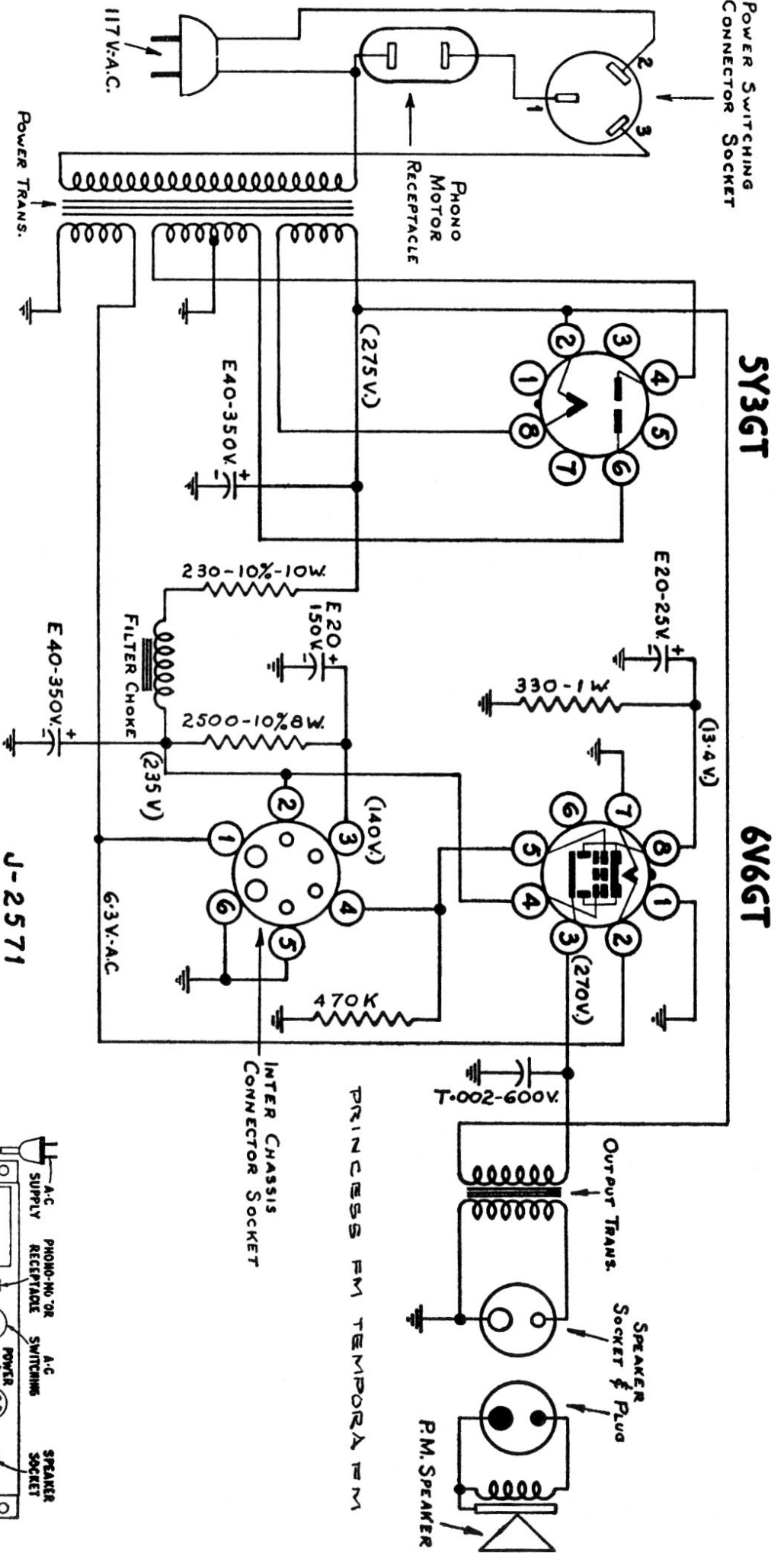
- "PRINCESS-FM"
 FACTORY MODEL
 PC3CF82-419
 -419Z
 PC3CF82-429
 -429Z
 PC3CF82-439
 -439Z
- "TEMPORA-FM"
 FACTORY MODEL
 PC3CF82-449
 -449Z
 PC3CF82-459
 -459Z

SPECIFICATIONS

- Standard Broadcast Range 535 Kc — 1650 Kc
 Frequency Modulation Range 88 Mc — 108 Mc
 Intermediate Frequency (AM) 455 Kc
 Intermediate Frequency (FM) 10.7 Mc
 Power Consumption (Radio Only) 95 Watts
 Power Consumption (Radio & Phono) 108 Watts
 Undistorted Output 5.5 Watts
 Maximum Power Output 8.1 Watts

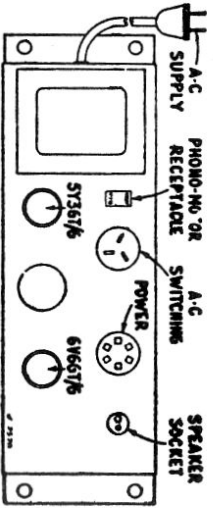
STRINGING DETAIL





Electrohme Princess FM & Tempora FM

POWER SUPPLY & AUDIO CHASSIS



PRINCESS FM TEMPORA FM