

J-3729

INPUT & ROLL OVER SWITCH POSITIONS

1. RADIO
2. TV
3. TAPE
4. FLAT
5. L.P.
6. R.I.A.
7. 800

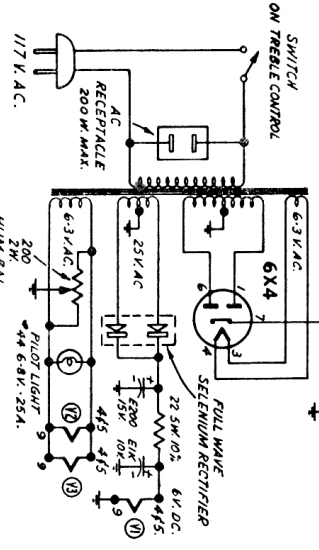
ROLL-OFF SWITCH POSITIONS

1. EARLY 78
2. COL. L.P.
3. R.I.A.A.
4. LOW. L.P.
5. F.F.R.R.
6. FLAT.

COMPONENT VALUES

RESISTORS: HALF WATT, UNLESS OTHERWISE SPECIFIED.  
 10% TOLERANCE, UNLESS OTHERWISE SPECIFIED.  
 K = 1000 OHMS.  
 M = 1000,000 OHMS.

CONDENSERS: T - TUBULAR, FOLLOWED BY CAP. IN MPD, D.C. MV. & VOL. IF CRITICAL.  
 E = ELECTROLYTIC, FOLLOWED BY CAP. IN MPD, & D.C. MV.  
 C = CERAMIC, FOLLOWED BY CAP. IN MPD, & D.C. MV. 10%  
 M = SILVER MICA, FOLLOWED BY CAP. IN MPD. TOLERANCE 10%.



# Electrohome VA-100, VA-100 MK1 Preamplifier

C.N.O.	DATE	CHANGE	SYM.	CHK.
53 423	7. 1. 53			

J-3729