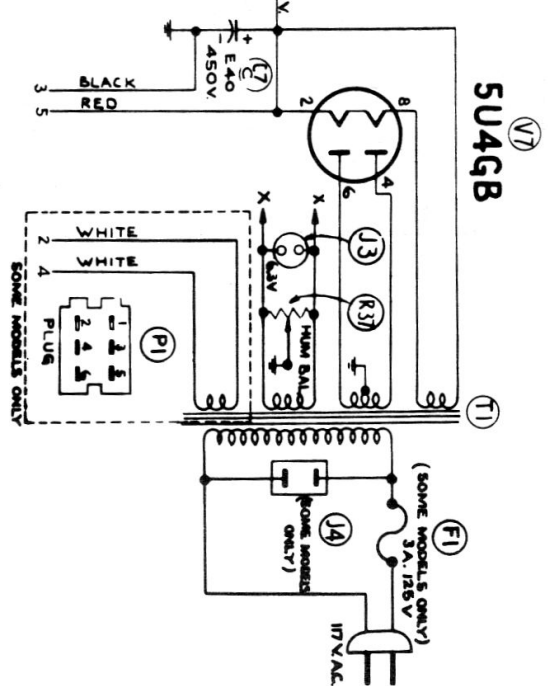


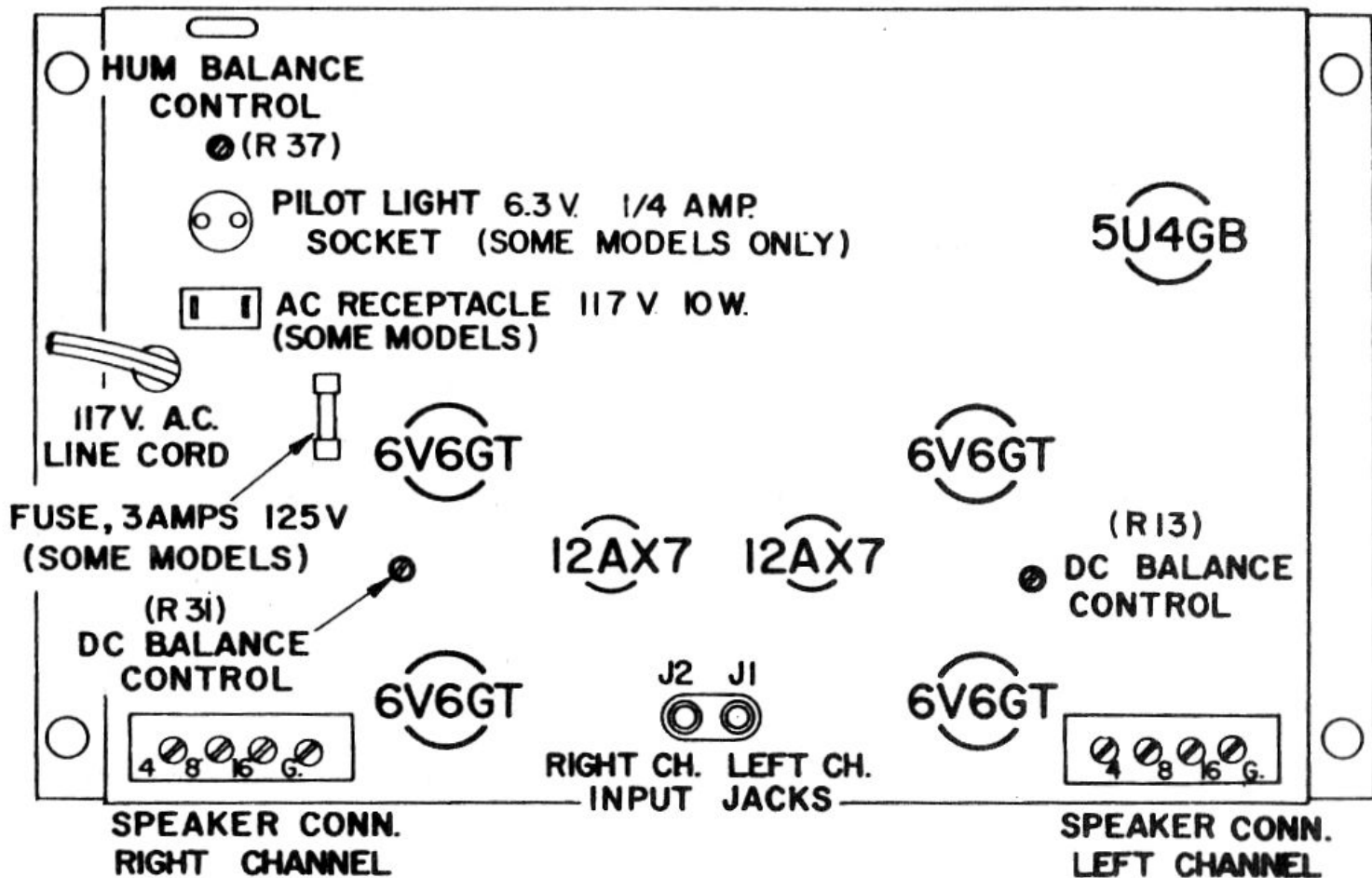
Electrohome SA 40S Slave Amplifier
 Cathedral, Cosmopolitan, Crescendo,
 Classic Mk1, Imperial Mk1

00-5227-02



Electrohome SA 40S Slave Amplifier

Cathedral, Cosmopolitan, Crescendo, Classic Mk1, Imperial Mk1



00-972-01

COMPONENT VALUES

RESISTORS :

HALF WATT, UNLESS OTHERWISE NOTED.
10% TOLERANCE, UNLESS OTHERWISE NOTED.
K = 1000 OHMS.
M = 1000,000 OHMS.

CONDENSERS :

T = TUBULAR, FOLLOWED BY CAPACITY IN MFD. & D.C.W.V.
E = ELECTROLYTIC, " " " " IN MFD & D.C.W.V.
C = CERAMIC, " " " " IN MMFD (TOL. IF CRITICAL)

ALL VOLTAGES MEASURED TO CHASSIS WITH 20,000 OHM/VOLT METER AT 117 LINE VOLTAGE.

6P7GB	7B8GT	C7B 445C7A; C7A 445C7B
CX14B	047E	C445E