

12BE6

12BA6

12AT6

50B5

35W4

ELECTROHOME ROAMER 50-38

ALL VOLTAGES, ±10%, MEASURED TO B-, WITH A V.T.V.M.

J-2637

1ST I.F.

2ND I.F.

500K CONTROL

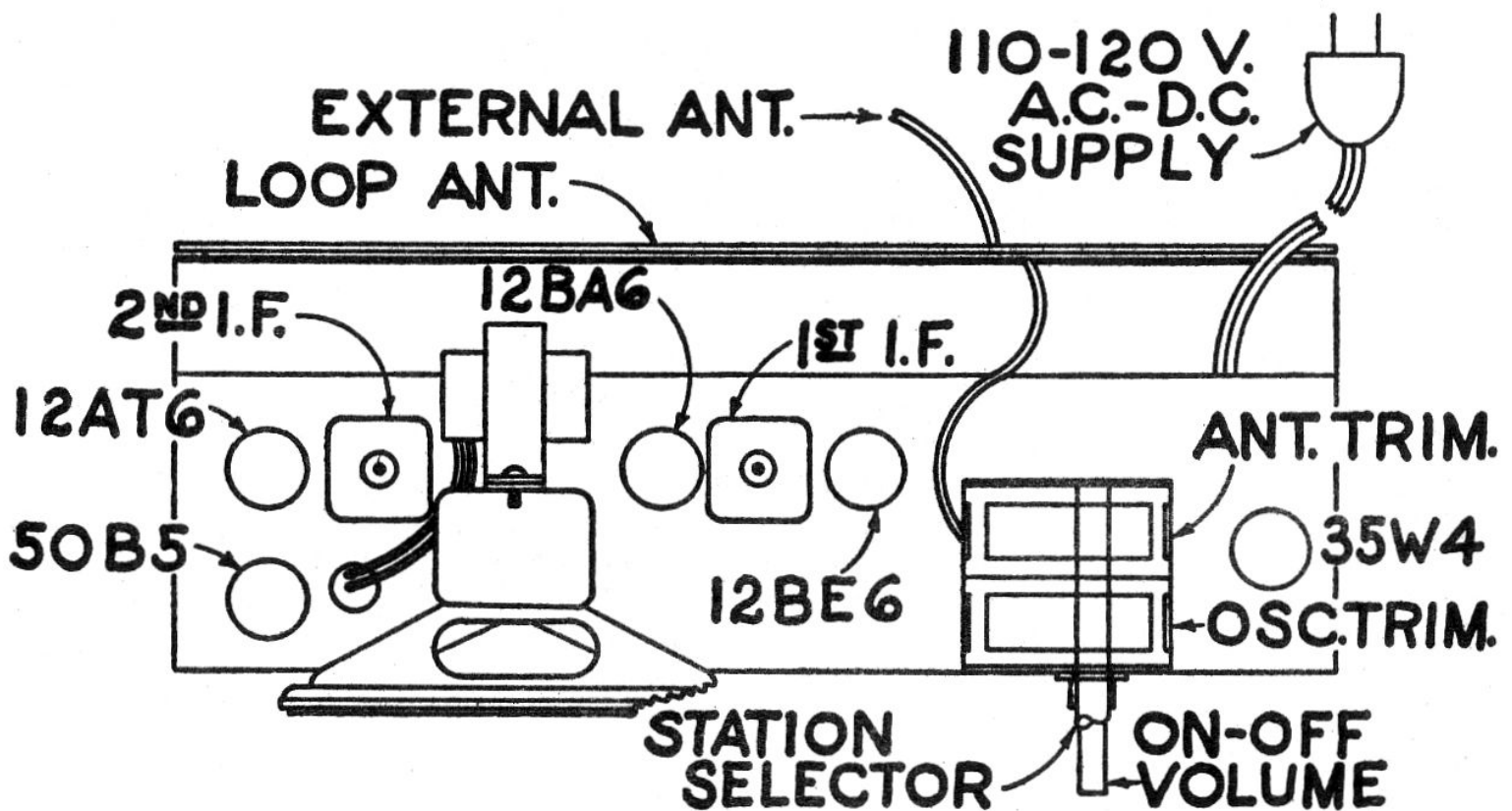
OUTPUT TRANS

RM1 SPKR

OFF-ON SWITCH

117 V. A.C.-D.C.

STEP	APPLY SIGNAL		THRU SERIES DUMMY	SET GANG AT	ADJUST FOR MAX. OUTPUT	NOMINAL SENSITIVITY 50 MILLIWATTS OUTPUT
	AT KC	TO				
1	455	12SK7 4-PIN	.05	MINIMUM CAPACITY	2ND. I.F.	1500
2	455	12SA7 8-PIN	.05	MINIMUM CAPACITY	1ST. I.F. 2ND. I.F.	50
3	1640	ANT.	400 $\Omega$	MINIMUM CAPACITY	OSC. TRIM.	12
4	1450	ANT.	400 $\Omega$	MAXIMUM CAPACITY	ANT. TRIM.	12
5	540	ANT.	400 $\Omega$	MAXIMUM CAPACITY	CHECK ONLY	20



### COMPONENT VALUES

**RESISTORS** - HALF WATT UNLESS OTHERWISE NOTED  
 20% TOL. UNLESS OTHERWISE NOTED  
 K-1000 OHMS.  
 M-1,000,000 OHMS.

**CONDENSERS** - T-TUBULAR, FOLLOWED BY CAP. IN MFD. & D.C.W.V.  
 E-ELECTROLYTIC, FOLLOWED BY CAP. IN MFD. & D.C.W.V.  
 C-CERAMIC, FOLLOWED BY CAP. IN MMFD. & TOL. IF CRITICAL  
 M- MICA, FOLLOWED BY CAP. IN MMFD. & TOL. IF CRITICAL