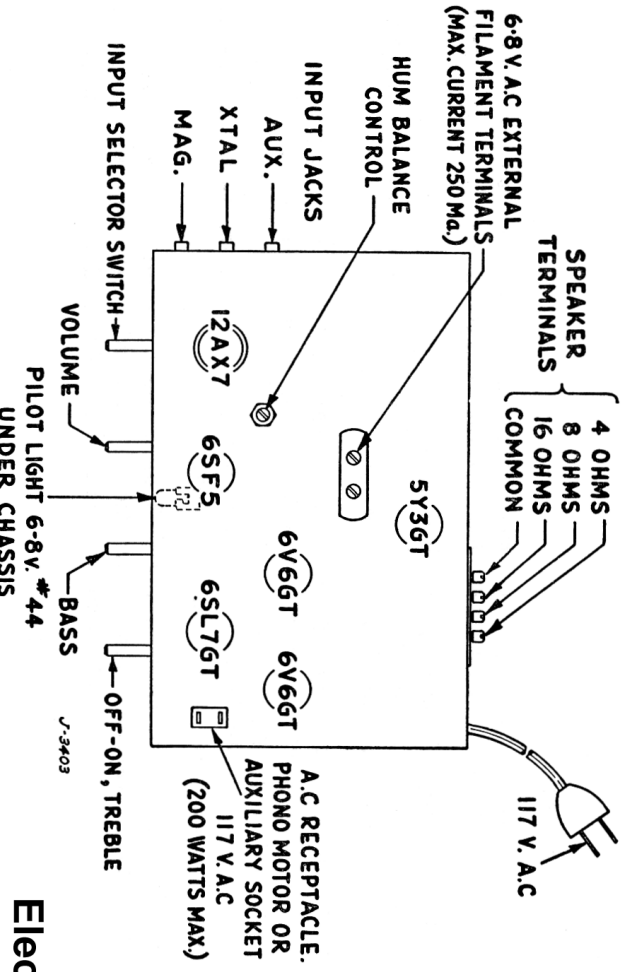


1/2 12AX7 1/2

6SF5

1/2 6SL7GT

6V6GT



Electrohome PA-200 Integrated Amplifier Schematic

SWITCH SHOWN IN EXTREME C-C WISE POSITION.
 SWITCH POSITIONS: 6E. MAGNETIC, PICKERING MAGNETIC,
 CRYSTAL, AUXILIARY.
 EXTERNAL PILOT LIGHT CONNECTOR MAX. CURRENT .25 A

J-3403

J-3404

J-3404