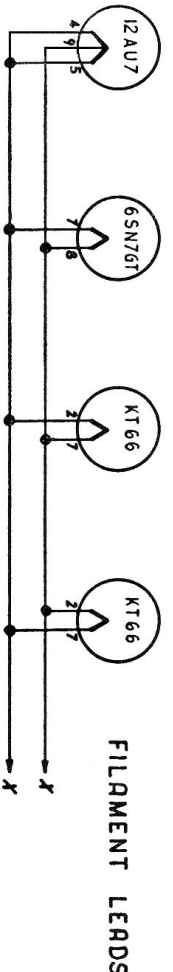
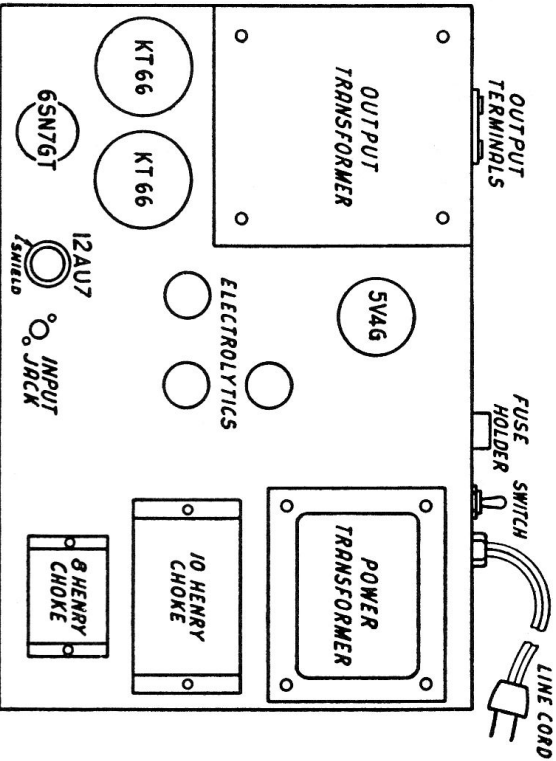
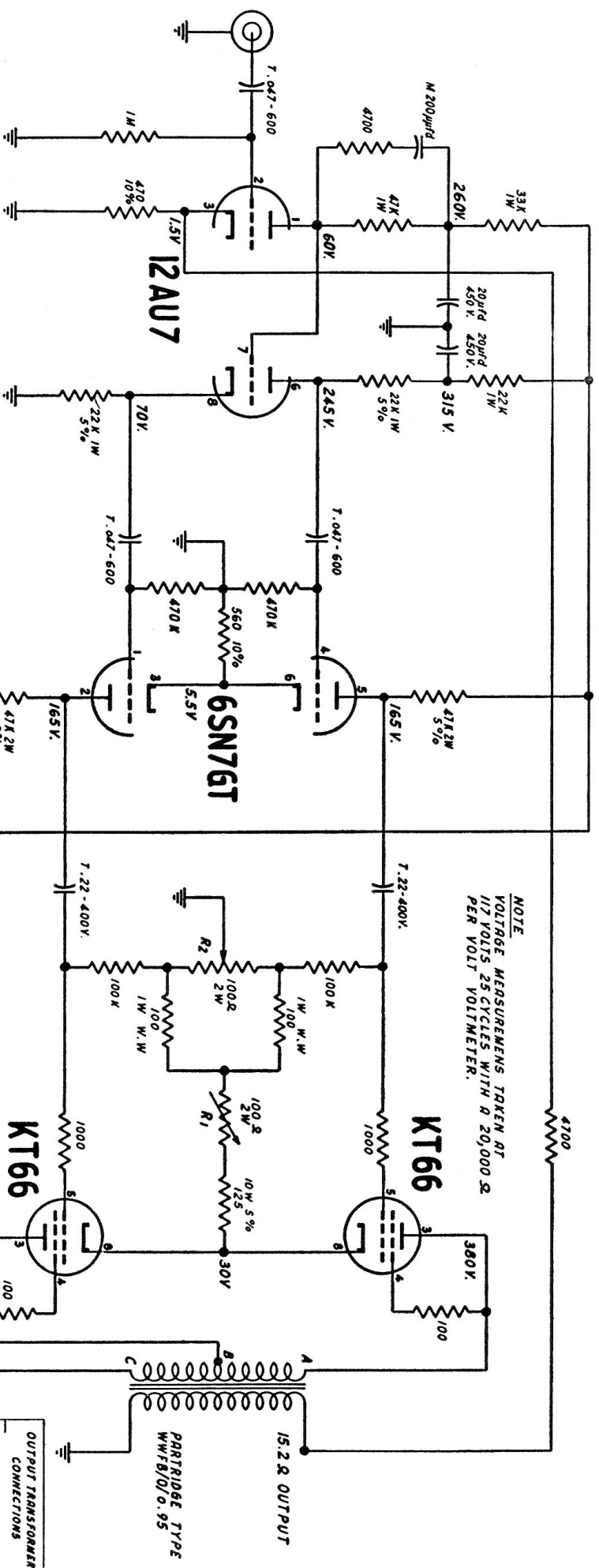


- STATIC BALANCING**
- 1) CONNECT A SUITABLE D.C. MILLIAMMETER IN THE LEAD TO THE CENTRE TAP OF THE OUTPUT TRANSFORMER PRIMARY AT POINT B OR D. ADJUST R<sub>1</sub> FOR .125 RMPD.
  - 2) CONNECT A MOVING COIL VOLTMETER (0-10V approx.) ACROSS POINTS A + C. ADJUST R<sub>2</sub> FOR ZERO READING.



J-3388



**ELECTROHOME PA-100 HI-FI POWER AMPLIFIER**

J-3388

