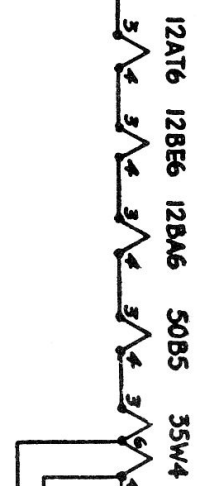


ALL VOLTAGES ± 10% MEASURED TO G- WITH 117 V INPUT.  
 CHASSIS GROUND ONLY, NOT EXTERNAL.

### ELECTROHOME MUSIC BOX & PICTURADIO

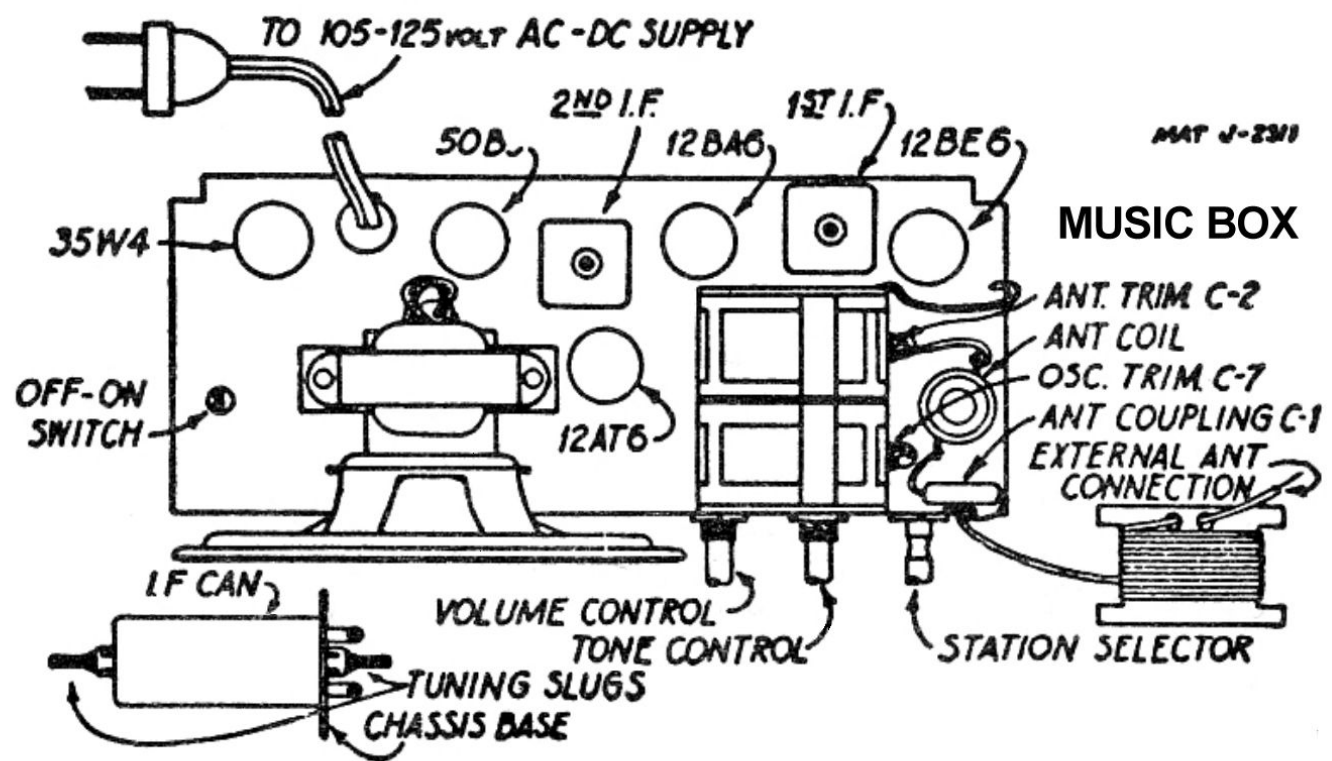
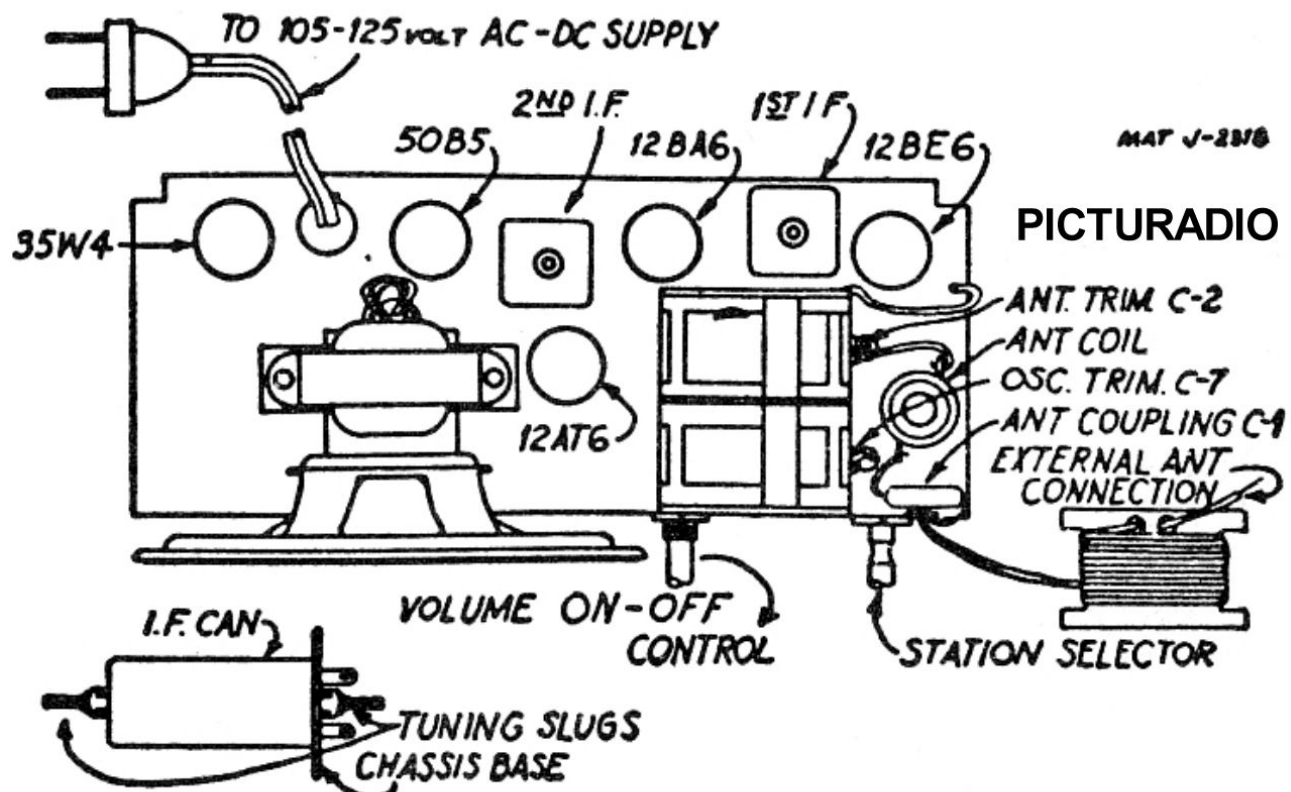


V-2310

USED ON SOME MODELS

AVERAGE SENSITIVITY FOR 50 MILLIWATT OUTPUT. SIGNAL MODULATED 30% AT 400 C.P.S.

SIGNAL APPLIED TO	SERIES DUMMY	455 KC	600 KC	1460 KC
ANT.	200 $\mu$ f/d	WITH GANG OPEN	13 $\mu$ V	25 $\mu$ V
12 BE6 GRID	.05 $\mu$ f/d.	120 $\mu$ V.	80 $\mu$ V	130 $\mu$ V
12 BA6 GRID	.05 $\mu$ f/d.	3300 $\mu$ V.		



CHANGE	SYMB
C-19 1 $\mu$ f/d $\Delta$ ; C-21 WAS 10 $\mu$ f/d 130V. $\Delta$ C-22 WAS 130V. $\Delta$	
INFORMATION ADDED TO C-5 AND C-12 $\Delta$	