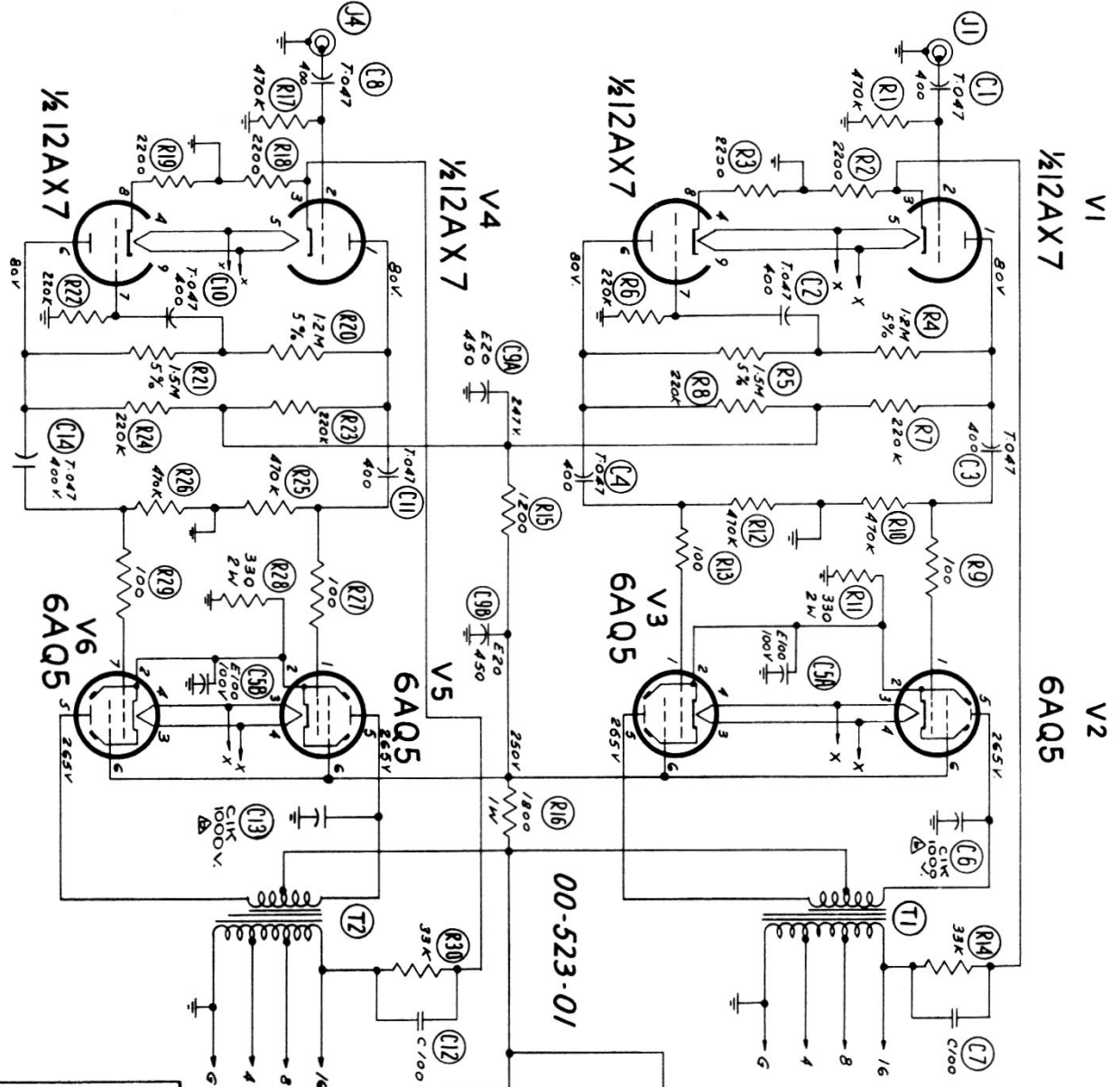


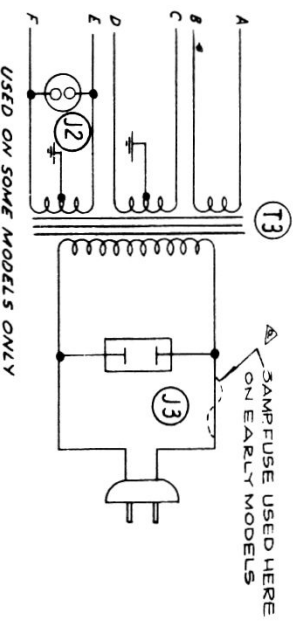
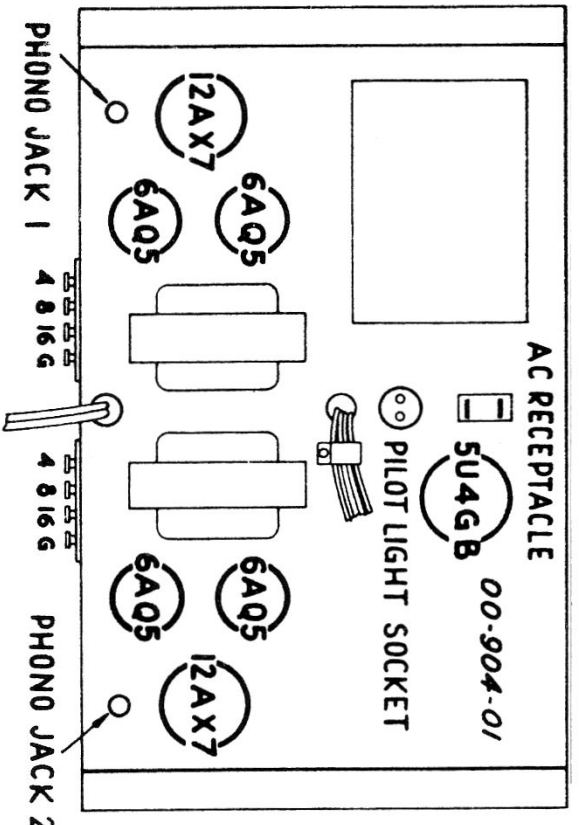
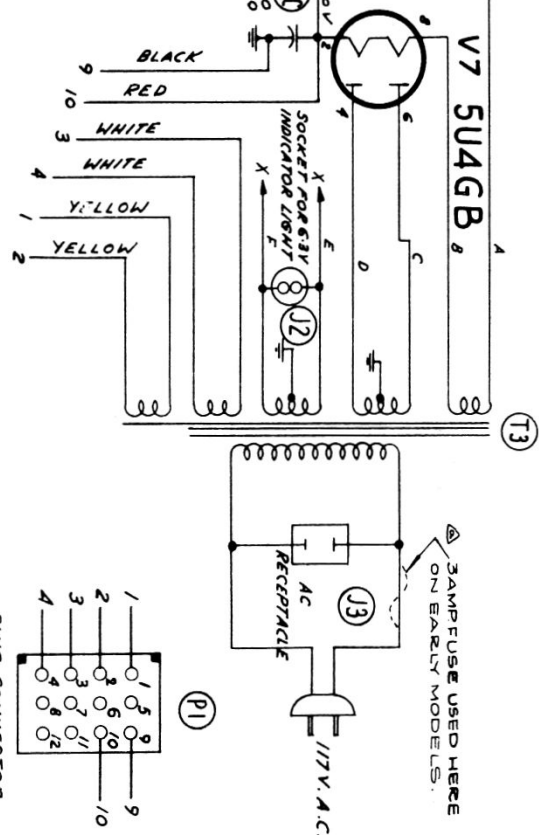
Electrohome HFT-400 Power Amplifier for "Canterbury" & "Chorale"

RESISTORS: HALF WATT, UNLESS OTHERWISE NOTED
 10% TOLERANCE, UNLESS OTHERWISE NOTED
 CONDENSERS: T - TUBULAR, FOLLOWED BY CAPACITY IN MFD AND DCMV
 E - ELECTROLYTIC, FOLLOWED BY CAP. IN MMFD AND TOLERANCE IF CRITICAL
 C - CERAMIC, FOLLOWED BY CAP. IN MMFD AND TOLERANCE IF CRITICAL

COMPONENT VALUES:



EC No.	DATE	CHANGE	CHK
58 864	2 23	F1 FUSE DELLETED. NOTE ADDED(A)	AK
58 945	10 30 58	CG 2 C13 WERE T.001 600V (B)	AK



3AMP FUSE USED HERE ON EARLY MODELS.

3AMP FUSE USED HERE ON EARLY MODELS.