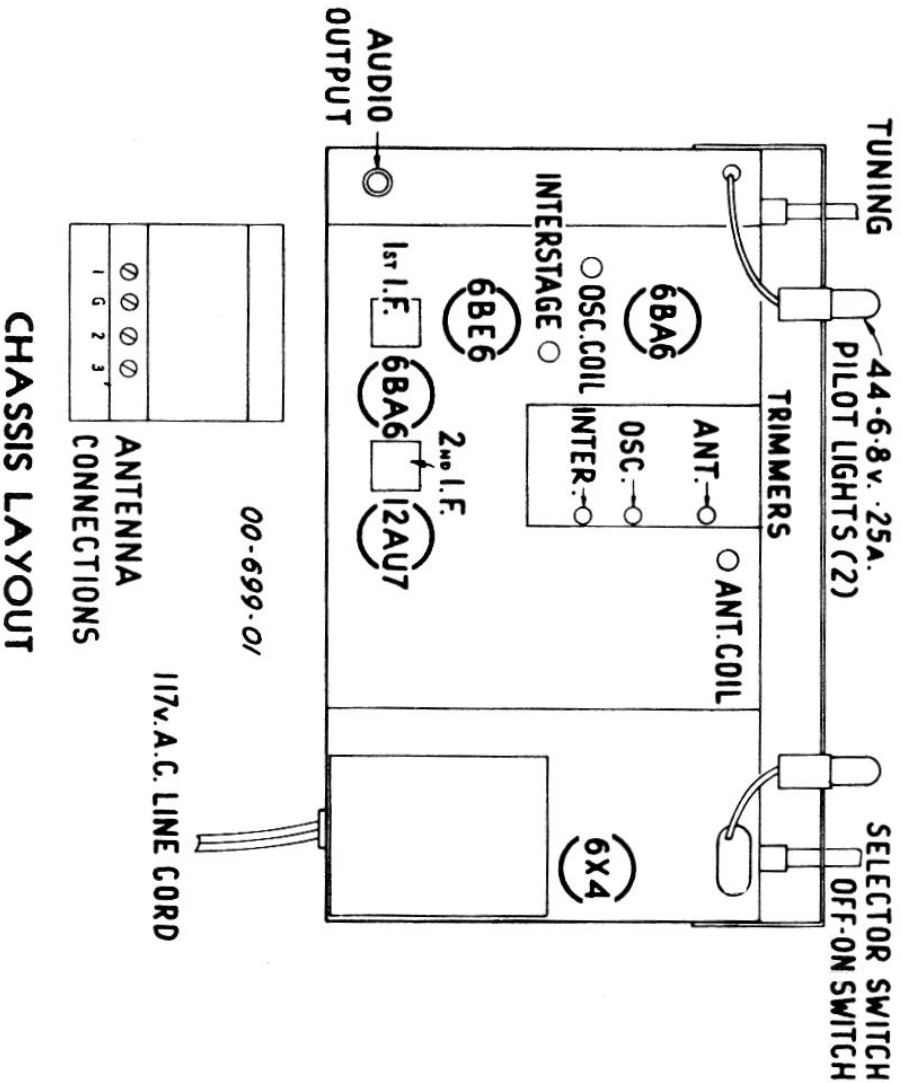
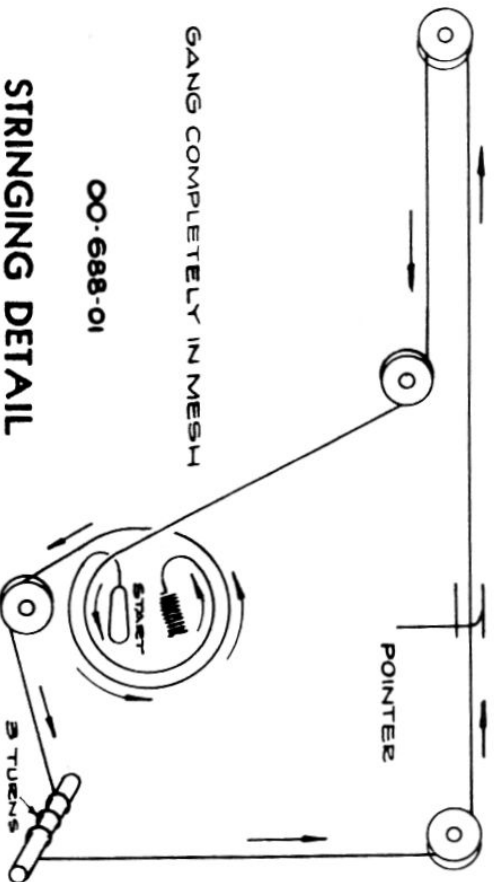


Electrohome HFT-300 AM Tuner



CHASSIS LAYOUT

ALIGNMENT AND SENSITIVITY							
SIGNAL GENERATOR MODULATED 30% AT 400 CYCLES							
STEP	APPLY SIG TO	TRICU SERIES DUMMY	SET GANG AT	ADJUST FOR MAX OUTPUT	SET THE SELECTOR SWITCH AT	NOMINAL SENSITIVITY FOR 100 MV AT DETECTOR LOAD.	
1	455	Series string	—	2nd I.F. 2nd I.F.	SHARP	4000 μ V	
2	"	"	Minimum Capacity	"	"	300 μ V	
3	"	"	"	"	WIDE BAND	1.5 μ V	MOVE 68K ACROSS BAND FROM OUTPUT FOR EQUAL RESULTS
4	600	ANT. RADIATED SIGNAL ANT. TRIMMERS	600KC	OSC. INT. # ANT. TRIMMERS	SHARP	1.5 μ V	
5	1460	RADIATED SIGNAL ANT. TRIMMERS	1460KC	OSC. INT. # ANT. TRIMMERS	"	50 μ V	
6	950	ANT. RADIATED SIGNAL ANT. TRIMMERS	950KC	CHECK	"	1.5 μ V	
7	"	"	"	"	NIGHT	20 μ V	
8	1KC	INPUT TO 10KC/S FILTERS	NONE	REMOVE 18AUY (V4). CHANGE GENERATOR TO 10KC/S. NOTE OUTPUT	DISTANT	100 μ V	ATTENUATION 40DB MIN.



STRINGING DETAIL