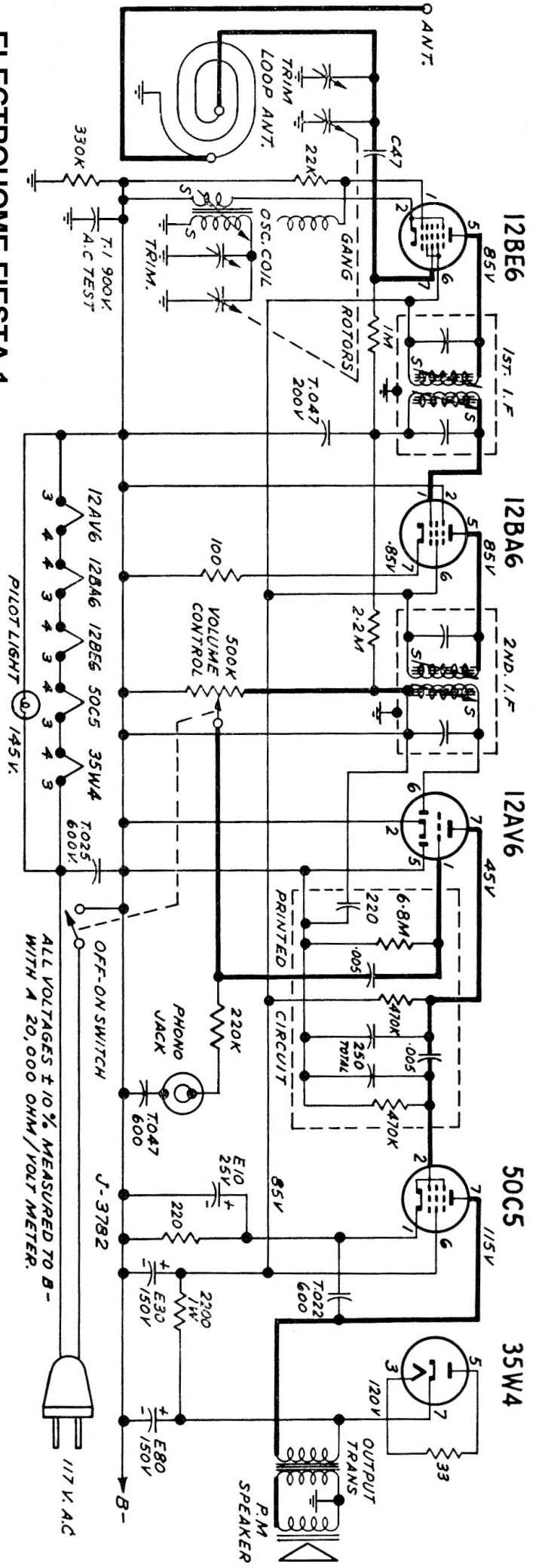


ELECTROHOME FIESTA 1



COMPONENT VALUES

RESISTORS: HALF WATT, UNLESS OTHERWISE NOTED.
 20% TOLERANCE, UNLESS OTHERWISE NOTED.
 K = 1000 OHMS.
 M = 1000,000 OHMS.

CONDENSERS: T=TUBULAR, FOLLOWED BY CAP. IN MFD. AND D.C.W.V.
 E=ELECTROLYTIC, FOLLOWED BY CAP. IN MFD. & D.C.W.V.
 C=CERAMIC, FOLLOWED BY CAP. IN MMFD. & TOL. IF CRITICAL.
 M=MICA, FOLLOWED BY CAP. IN MMFD. & TOL. IF CRITICAL.

ALIGNMENT AND SENSITIVITY						
SIGNAL GENERATOR MODULATED 30% AT 400 CY.						
STEP	APPLY SIGNAL AT KC.	TO	THRU SERIES DUMMY	SET GANG AT	ADJUST FOR MAX. OUTPUT	NOMINAL SENSITIVITY FOR 50 MILLIWATTS OUTPUT.
1	455	12BA6 #1 PIN	.05	MINIMUM CAPACITY	2ND. I.F	2400 μ V
2	455	12BE6 #7 PIN	.05	MINIMUM CAPACITY	1ST. I.F 2ND. I.F	70 μ V.
3	1460	ANT.	*	1460	OSC. TRIM. ANT. TRIM.	130 μ V/M.
4	1670	ANT.	*	MINIMUM CAPACITY	CHECK ONLY	120 μ V/M.
5	600	ANT.	*	600	CHECK ONLY	400 μ V/M.
6	525	ANT.	*	MAXIMUM CAPACITY	CHECK ONLY	500 μ V/M.

* FASHION LOOP OF SEVERAL TURNS OF WIRE AND RADIATE SIGNAL INTO LOOP OF RECEIVER. ADJUST FOR MAXIMUM OUTPUT.

