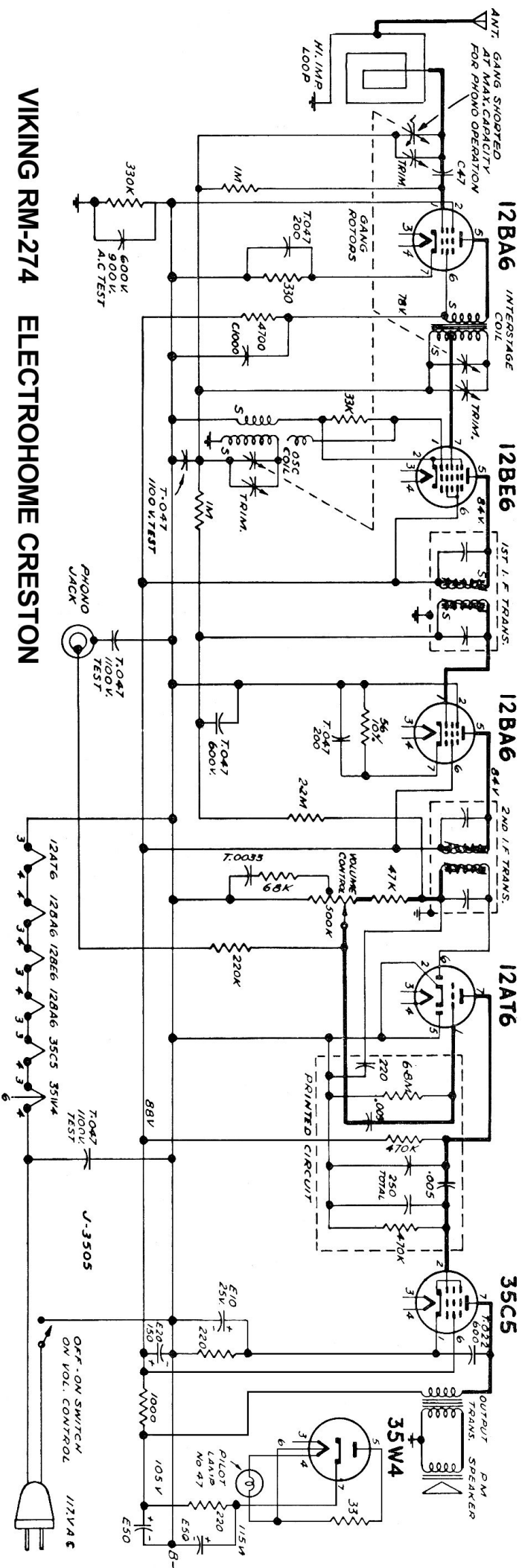


## VIKING RM-274 ELECTROHOME CRESTON

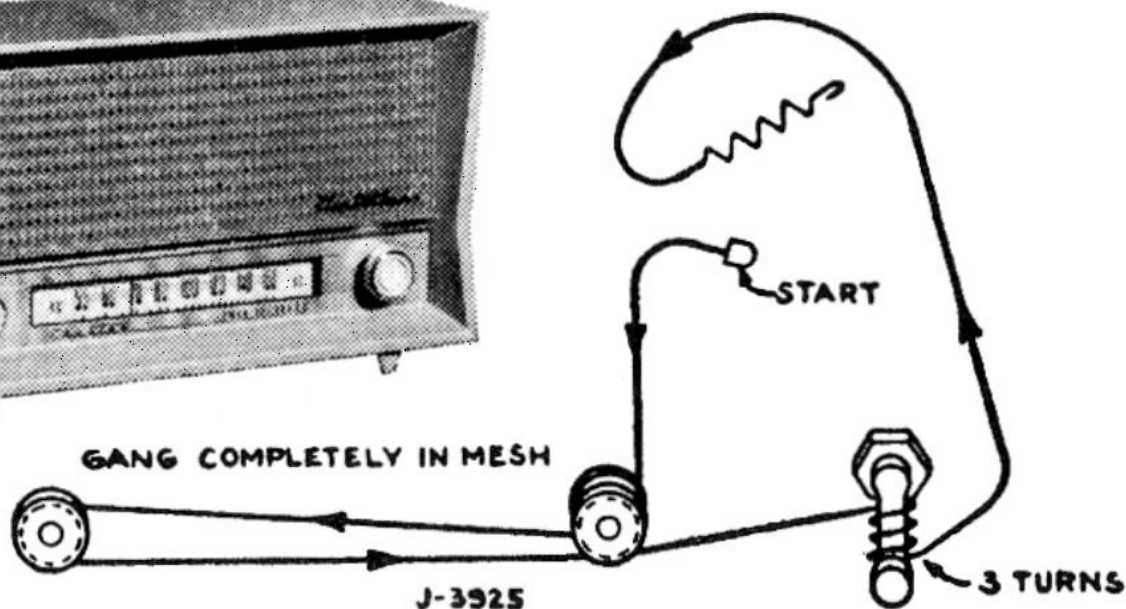


# ALIGNMENT AND SENSITIVITY

SIGNAL GENERATOR MODULATED 30% AT 400 CY.

STEP	APPLY SIGNAL		THRU SERIES DUMMY	SET GANG AT	ADJUST FOR MAX. OUTPUT	NOMINAL SENSITIVITY FOR 50 MILLIWATTS OUTPUT.
	AT KC.	TO				
1	455	12BA6 1F #1 PIN	.05	—	2ND. I.F	4500 $\Delta$
2	455	12BE6 #7 PIN	.05	MINIMUM CAPACITY	1ST. I.F 2ND. I.F	175 $\Delta$
3	1460	12BA6 #1 PIN	.05	1460 KC.	OSC. AND INTERSTAGE TRIMMERS	
4	1460	ANT.	200 $\mu$ f $\Delta$	1460 KC	ANTENNA & INTERSTAGE TRIMMER	6 $\mu$ V/M. $\Delta$
5	600	ANT.	200 $\mu$ f $\Delta$	600 KC.	CHECK ONLY	15 $\mu$ V/M. $\Delta$

\* FASHION LOOP CONSISTING OF SEVERAL TURNS OF WIRE AND RADIATE SIGNAL FROM GENERATOR TO LOOP OF RECEIVER. ADJUST TRIMMER FOR MAX. OUTPUT.



START

●      ●      ●      ●      ●  
550    600                      950                      1460  
CALIBRATION POINTS ON BACKING PLATE

TUNING

VOLUME

GANG

SHIELD

12BA6    12BE6    12BA6    12AV6    35C5    35W4  
PHONO INPUT