

NOTE:
Wave trap used on this model - not shown on schematic.

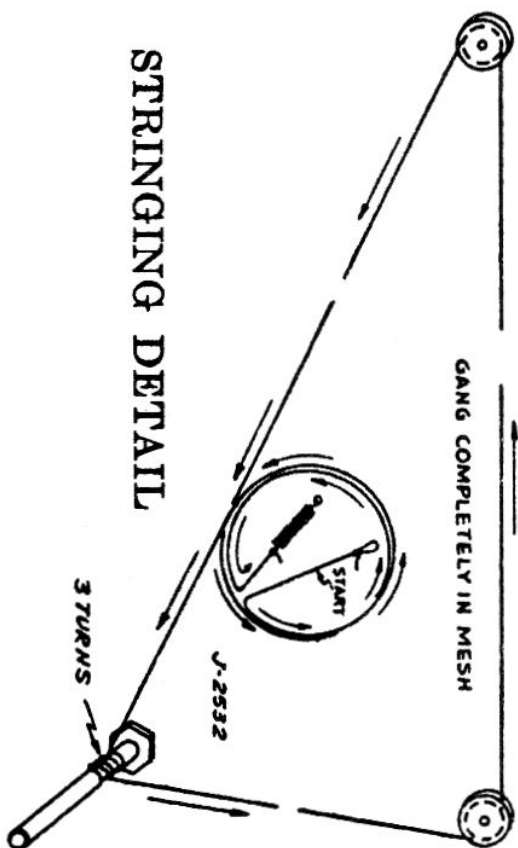
WINDING POLARITY
"S" DESIGNATES START OF WINDING
"F" DESIGNATES FINISH OF WINDING

Electrohome Serenader 962

Electrohome

Serenader 962

CHASSIS LAYOUT CHART



C.N. NO.	DATE	CHANGE	ISSUE	SYM	CHECK
3475	0/17/49	PHONO EQUALIZER REMOVED	2		

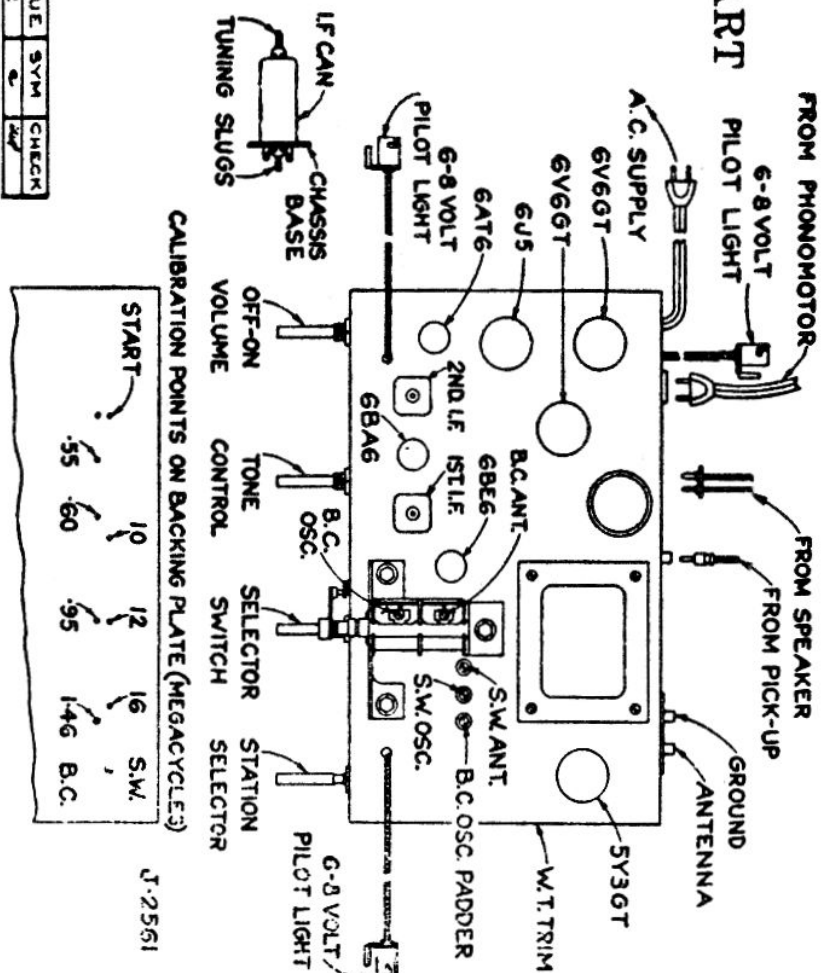
COMPONENT VALUES

RESISTORS: HALF WATT UNLESS OTHERWISE NOTED
 20% TOLERANCE UNLESS OTHERWISE NOTED
 K - 1,000 OHMS
 M - 1,000,000 OHMS
 W.W. - WIRE WOUND

CONDENSERS: T-TUBULAR, FOLLOWED BY CAP IN μ f & DCWV
 E-ELECTROLYTIC, FOLLOWED BY CAP IN μ f & DCWV
 C-CERAMIC FOLLOWED BY CAP IN μ f & TOL. IF CRITICAL
 M-MICA FOLLOWED BY CAP IN μ f & TOL. IF CRITICAL

BANDSWITCH SHOWN IN PHONO POSITION AS VIEWED FROM FRONT TOP OF CHASSIS.
 VOLTAGES MARKED IN BRACKETS TAKEN TO CHASSIS WITH A 20,000 OHM/VOLT METER.

INTERMEDIATE FREQ. 455 KC.



ALIGNMENT AND SENSITIVITY

SIGNAL GENERATOR MODULATED 30% AT 400 C.P.S.

STEP	APPLY SIGNAL AT MC.	THRU SERIES DUMMY TO	SET GANG AT	ADJUST FOR MAX. OUTPUT	NOMINAL SENSITIVITY FOR 500 MW. OUTPUT
1	.455	6BE6 #7 PIN	MIN.	I.F. SLUGS	100 μ V.
2	.6	ANTENNA	.6 MC.	B.C. OSC. PAD	15 μ V.
3	1.46	ANTENNA	1.46 MC.	B.C. OSC. TRIM, & ANT. TRIM.	18 μ V.
4	.95	ANTENNA	.95 MC.	CHECK	15 μ V.
5	16	ANTENNA	16 MC.	S.W. OSC. TRIM, & ANT. TRIM.	45 μ V.
6	10	ANTENNA	10 MC.	CHECK	40 μ V.
7	12	ANTENNA	12 MC.	CHECK	45 μ V.

* RESISTOR OTHER THAN NON-INDUCTIVE WILL GIVE FALSE SENSITIVITY RESULTS.