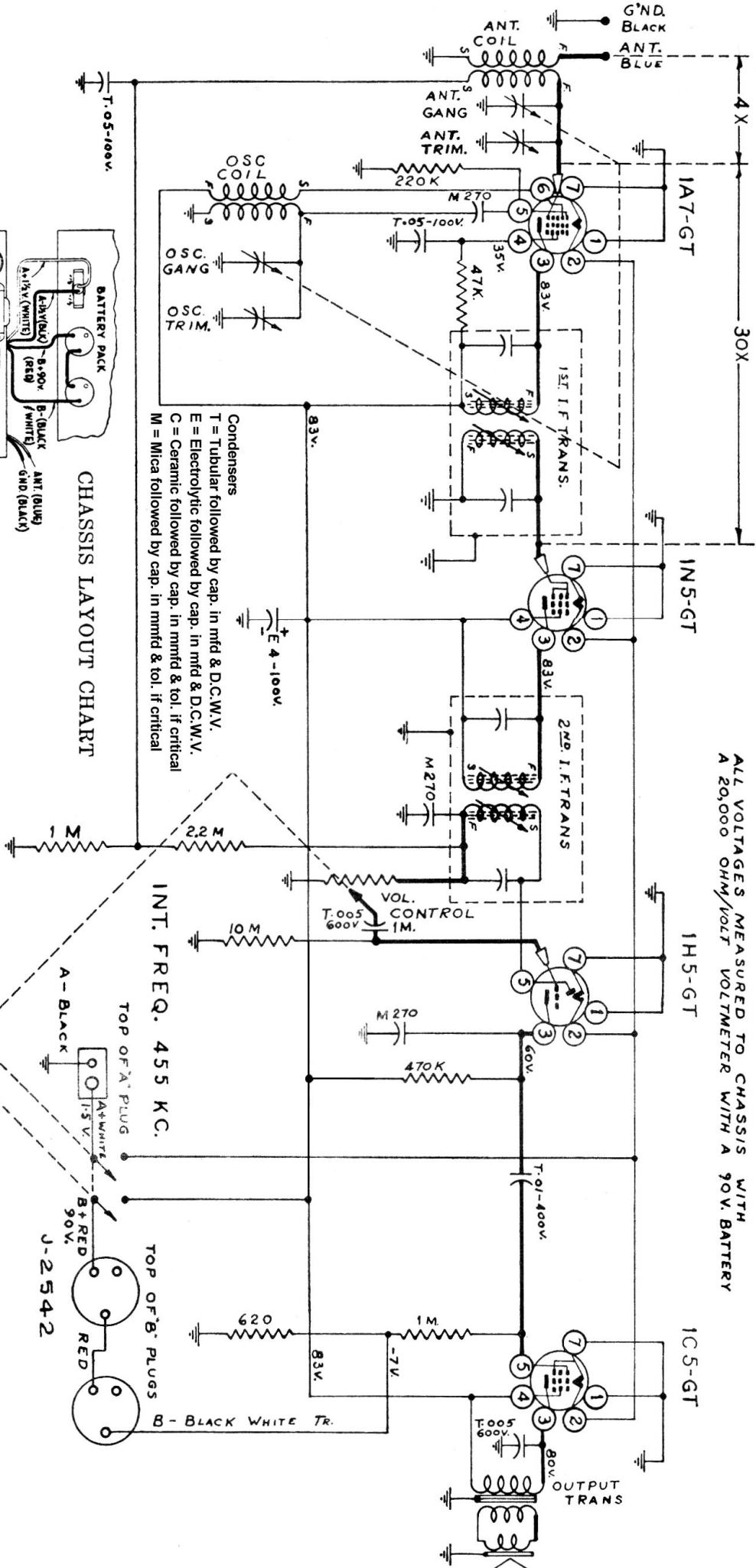
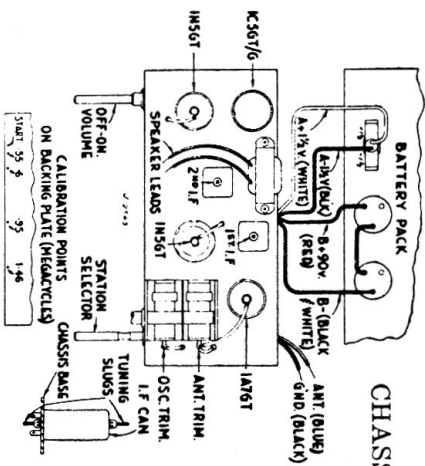


ALL VOLTAGES MEASURED TO CHASSIS WITH A 20,000 OHM/VOLT VOLTMETER WITH A 90V. BATTERY



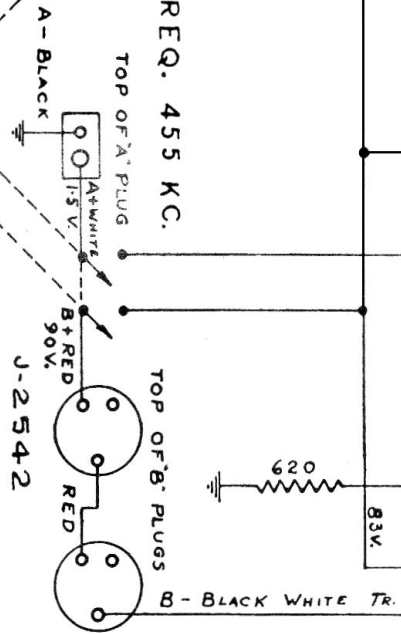
Condensers  
 T = Tubular followed by cap. in mfd & D.C.W.V.  
 E = Electrolytic followed by cap. in mfd & D.C.W.V.  
 C = Ceramic followed by cap. in mmfid & tol. if critical  
 M = Mica followed by cap. in mmfid & tol. if critical

CHASSIS LAYOUT CHART



WINDING POLARITY  
 "S" DESIGNATES START OF WINDING  
 "F" DESIGNATES FINISH OF WINDING

**Electrohome Serenader 953  
 Battery Operated Receiver**



TUNING RANGE.....535 Kc. - 1650 Kc.  
 INTERMEDIATE FREQUENCY.....455 Kc.  
 UNDISTORTED POWER OUTPUT..... 90 mw.  
 MAXIMUM POWER OUTPUT.....200 mw.

“A” Battery Drain .225 Amps. at 1.5 Volts  
 “B” Battery Drain 10.1 ma. at 90 Volts.

# Electrohome Serenader 953 Battery Operated Receiver

ALIGNMENT AND SENSITIVITY							
SIGNAL GENERATOR MODULATED 30% AT 400 CYCLES							
STEP	APPLY SIGNAL	THRU DUMMY	SET TUNER	ADJUST FOR MAX. OUTPUT	NOMINAL SENSITIVITY		
	AT KC	TO			SERIES	PARALLEL	FOR
1	455	GRID CAP IN 5	.05 mfd.		2nd I.F. Iron Cores	16000 $\mu$ V.	
2	455	GRID CAP I A T	.05 mfd.		1st I.F. Iron Cores	500 $\mu$ V.	
3	1460	ANT.	200 mfd.		ANT. & OSC. TRIM'S.	150 $\mu$ V.	
4	600	ANT.	200 mfd.		CHECK	100 $\mu$ V.	

STRINGING DETAIL

