

All DC measurements made to chassis with 1000 ohms/watt meter

Selector switch shown in Phono (extreme counter clockwise) position

# Electrohome

## Serenader 948 & Baycrest B581A, B523

SERENADER FACTORY MODEL SCC72-419/Z & 429/Z

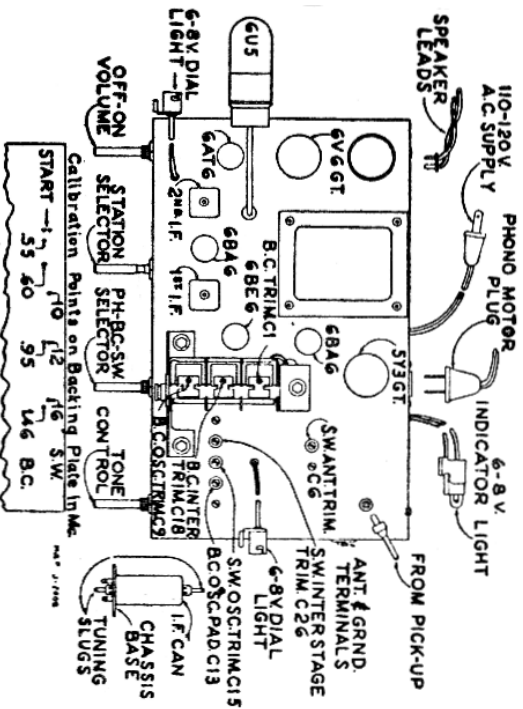
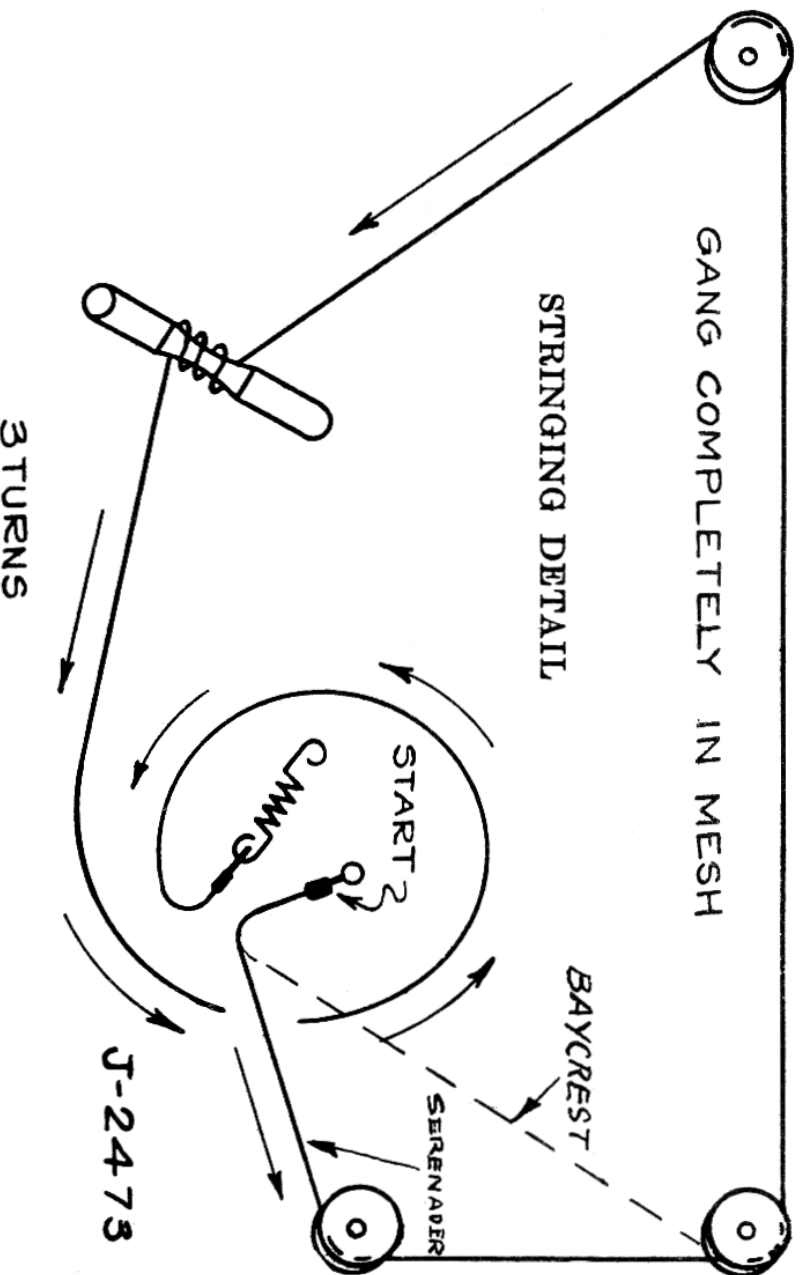
CUSTOMER MODEL 948W-2, 6; 948LO-2, 6

BAYCREST DCC62 428/Z & 438/Z

# Electrohome

## Serenader 948 & Baycrest B581A, B523

SERENADER FACTORY MODEL SCC72-419/Z & 429/Z  
 CUSTOMER MODEL 948W-2, 6; 948LO-2, 6  
 BAYCREST DCC62 428/Z & 438/Z



CHASSIS LAYOUT CHART