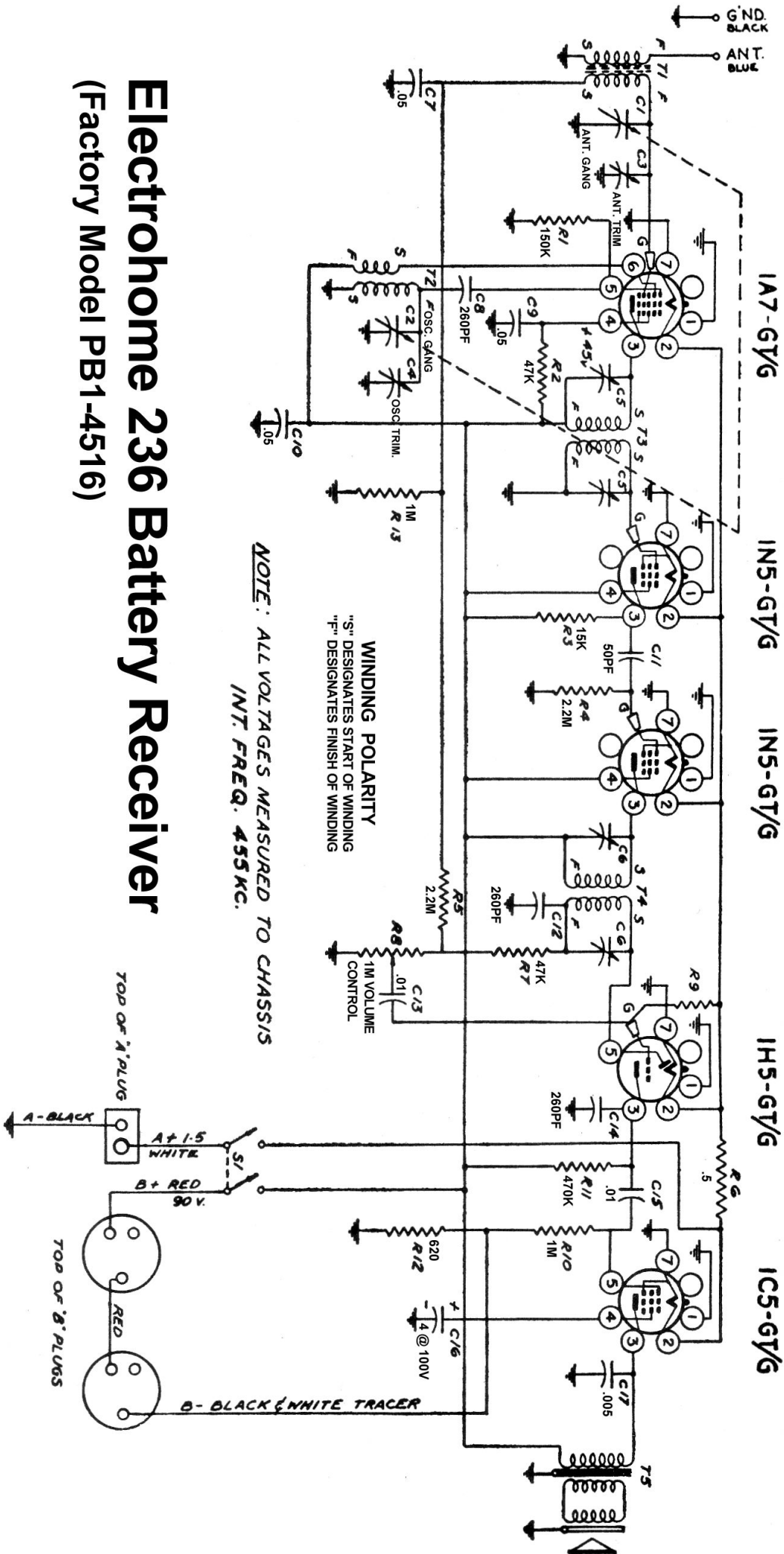


# Electrohome 236 Battery Receiver

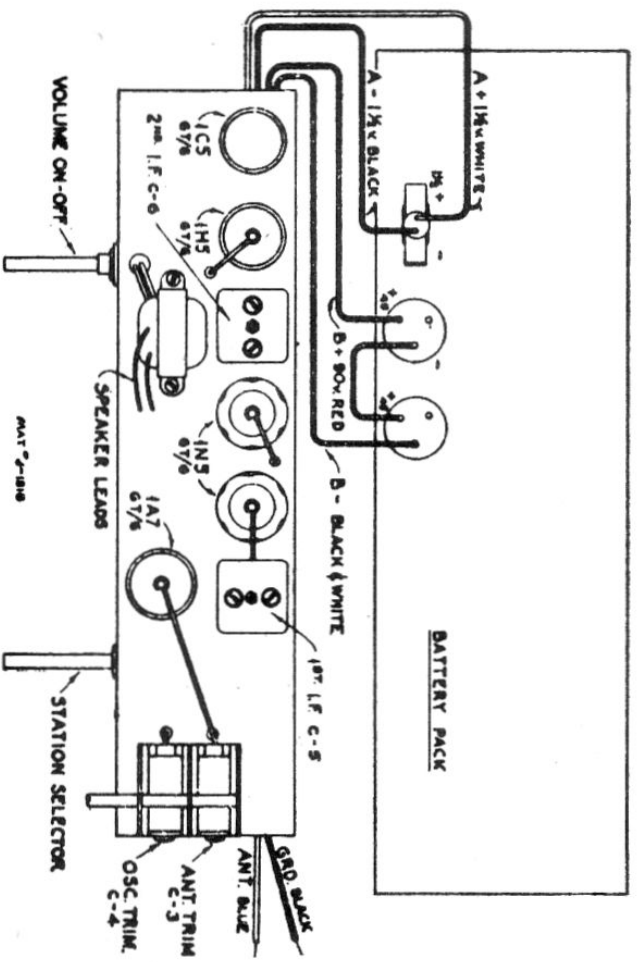
(Factory Model PB1-4516)

RCC - Electrohome Data Sheet No. 1, 1946-47



# Electrohome 236 Battery Operated Receiver

(Factory Model PB1-4516)



**ALIGNMENT—PROCEED IN SEQUENCE LISTED**

Band	Band Switch Setting	Dummy Antenna	Connect Generator To	Radio Dial Setting	Generator Frequency	Trimmer Adjusted	Adjustment
2nd I.F.		.05 Mfd.	Grid of 1A7GT/G 1st I.F. Tube	1650 K.C.	455 K.C.	2nd I.F. C-6	Maximum Output
1st I.F.		.05 Mfd.	Grid of 1A7GT/G Converter	1650 K.C.	455 K.C.	1st I.F. C-5	Maximum Output
B.C.		250 Mmfd.	Ant.	1460 K.C.	1460 K.C.	B.C. Osc. C-4 B.C. Ant. C-3	Maximum Output
B.C.		250 MMfd.	Ant.	600 K.C.	600 K.C.		Check