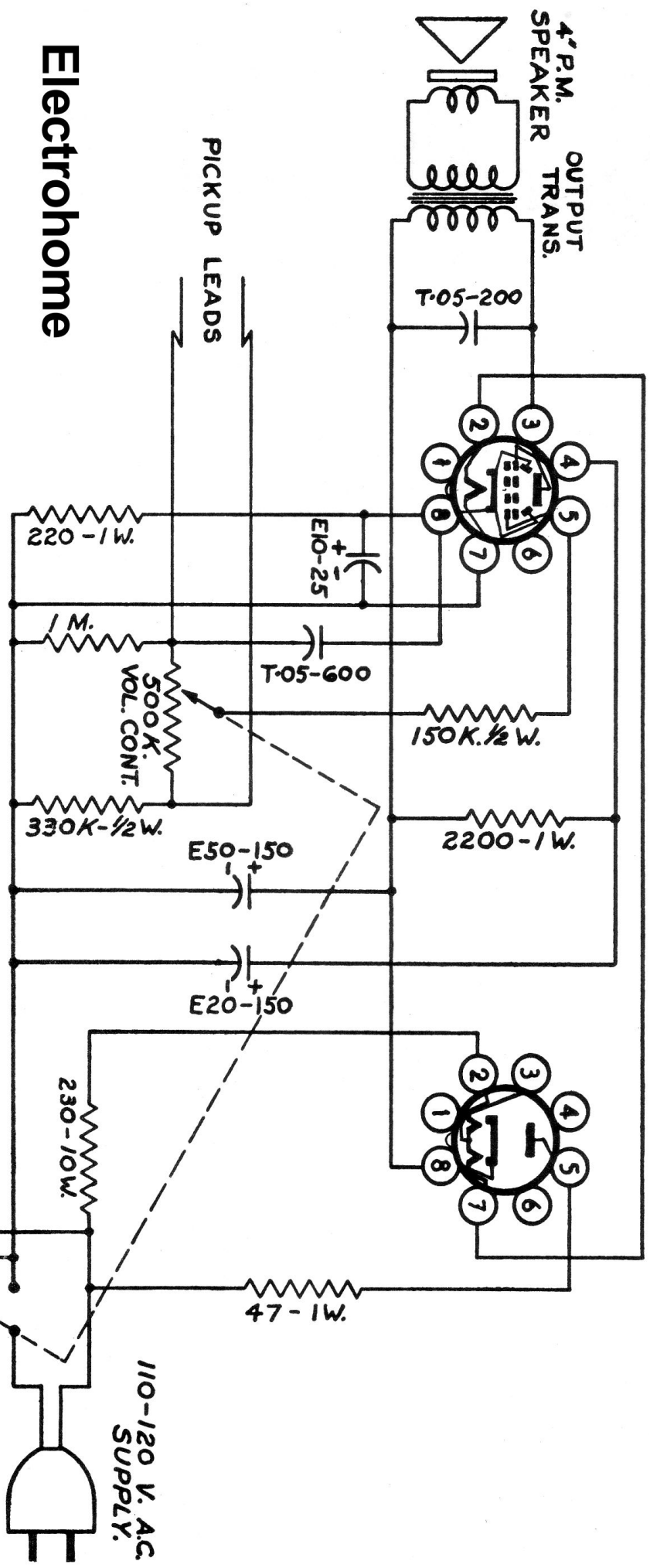


50L6GT

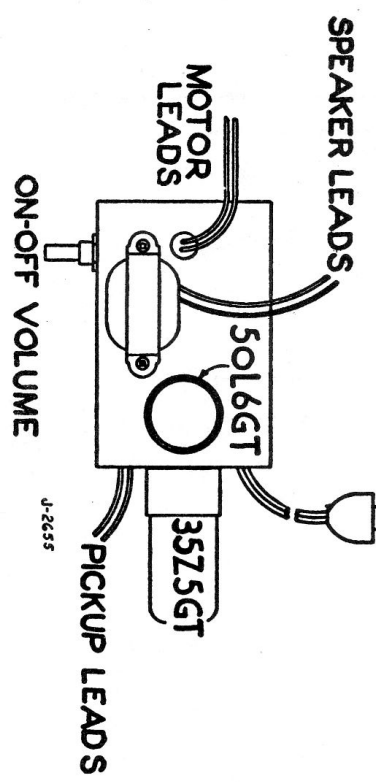
35Z5GT



Electrohome

Roamer 50-26 Record Player

110-120V. SUPPLY



COMPONENT VALUES

RESISTORS

- HALF WATT UNLESS OTHERWISE NOTED
- 20% TOLERANCE UNLESS OTHERWISE NOTED
- K - 1,000 OHMS.
- M - 1,000,000 OHMS.

CONDENSERS

- T-TUBULAR, FOLLOWED BY CAP. IN MFD. & D.C.V.
- E-ELECTROLYTIC, FOLLOWED BY CAP. IN MFD. & D.C.V.
- C-CERAMIC, FOLLOWED BY CAP. IN MMFD. & TOL. IF CRITICAL.
- M-MICA, FOLLOWED BY CAP. IN MMFD. & TOL. IF CRITICAL.