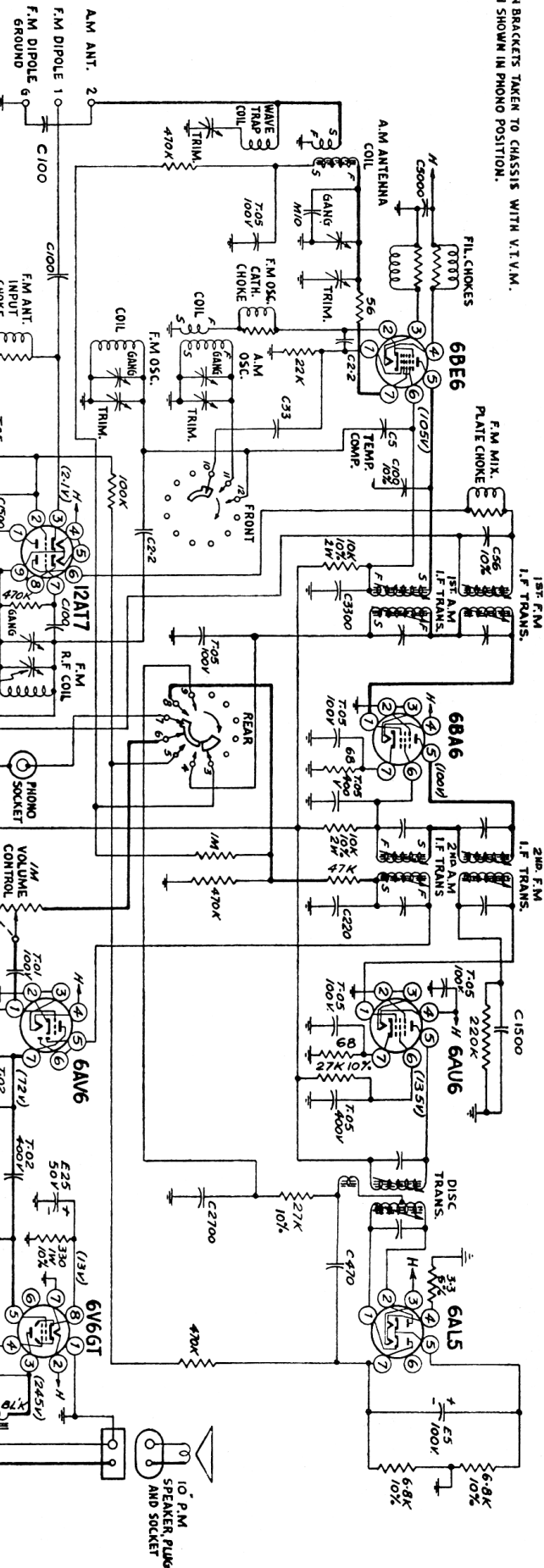


VOLTAGES IN BRACKETS TAKEN TO CHASSIS WITH V.I.V.M.
BANDSWITCH SHOWN IN PHONO POSITION.



STEP	REG. GAIN	APPLY SIGNAL	THRU	SET	ADJUST	NOMINAL SENSITIVITY	NOTES
1	M 755K	(F.I.F. 68A6) 1 PIN	1-1/2 I.F. 1.5MΩ	500K	AM	2nd AM I.F.	3500 μV
2	455K	AM ANTENNA	540K	AM	1st AM I.F.	75 μV	AM STANDARD OUTPUT
3	1460K	AM ANTENNA (TERMINALS 2/4)	1460	AM	AM OSC. TRIM.	15 μV	AM STANDARD OUTPUT (5-0.5 WATT OUTPUT POWER)
4	600K	AM ANTENNA	200 μH	1600K	AM	CHECK ONLY	
5	455K	AM ANTENNA	200 μH	540K	AM	WAVE TRAP	ADJUST FOR MINIMUM F.M. STANDARD OUTPUT (SEE BELOW)
6	607 MC	DRIVER 6A16	1-1/2 I.P.		F.M.	DISCRIMINATOR P.R.L. (NOT IN)	40,000 μV
7	607 MC	DRIVER 6A16	1-1/2 I.P.		F.M.	DISCRIMINATOR SEC. (TOP)	F.M. STANDARD OUTPUT (SEE BELOW)
8	607 MC	1st I.F. 68A6	1-1/2 I.P.	MAX. CAP.	F.M.	2nd F.M. I.F.	1100 μV
9	607 MC	F.M. I.F. SECT. GANG	1-1/2 I.P.	MAX. CAP.	F.M.	1st F.M. I.F.	260 μV
10	105 MC	F.M. ANTENNA (TOP OF CHASSIS)	300MΩ	105MΩ	F.M.	2nd F.M. I.F.	
11	90 MC	F.M. ANTENNA (TERMINALS 1/4)	300MΩ	90MΩ	F.M.	F.M. ANTENNA TRIM	

A M GENERATOR MODULATED 30% AT 400 CY. - F.M. GENERATOR MODULATED 22.5 KC AT 400 CY.
ALIGNMENT AND SENSITIVITY

CONDENSERS: T-TUBULAR, FOLLOWED BY CAPACITY IN MFD. AND D.C.W.V.
E-ELECTROLYTIC, FOLLOWED BY CAPACITY IN MFD. AND TOLERANCE IF CRITICAL.
C-CERAMIC, FOLLOWED BY CAPACITY IN MFD. AND TOLERANCE IF CRITICAL.

RESISTORS: HALF WATT, UNLESS OTHERWISE NOTED.
20% TOLERANCE, UNLESS OTHERWISE NOTED.
K = 1000 OHMS.
M = 1000,000 OHMS.

COMPONENT VALUES

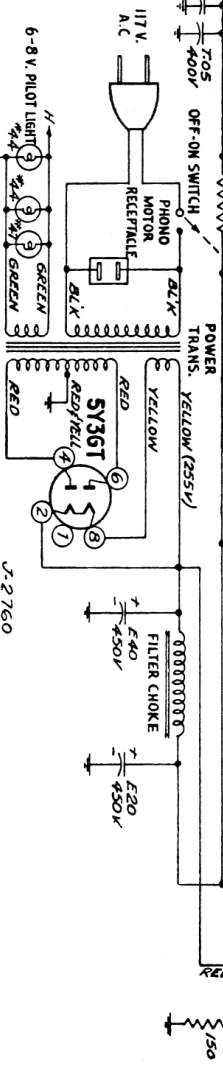
AM ANT. 1 2
F.M. DIPOLE 1 0
F.M. DIPOLE 6 0
GROUND

AM ANT. 1 2
F.M. DIPOLE 1 0
F.M. DIPOLE 6 0
GROUND

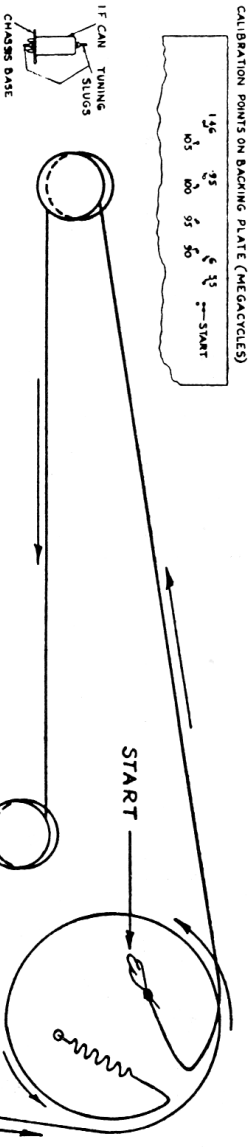
ALIGNED AT 400 CY. - F.M. GENERATOR MODULATED 22.5 KC AT 400 CY.

ALIGNED AT 400 CY. - F.M. GENERATOR MODULATED 22.5 KC AT 400 CY.

ALIGNED AT 400 CY. - F.M. GENERATOR MODULATED 22.5 KC AT 400 CY.



GANG COMPLETELY IN MESH

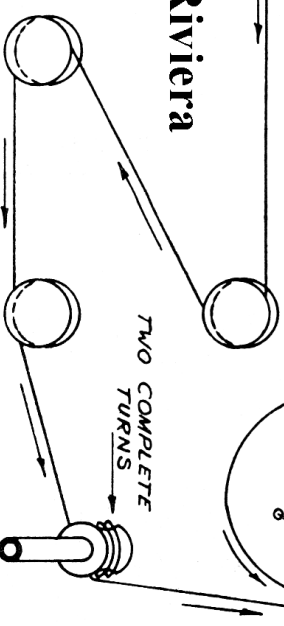


SPECIFICATIONS

Electrohome Riviera

- Standard Broadcast Range ... 535 Kc — 1650 Kc
- Frequency Modulation Range ... 88 Mc — 108 Mc
- Intermediate Frequency (AM) ... 455 Kc
- Intermediate Frequency (FM) ... 10.7 Mc
- Power Consumption (Radio & Phono) 87 Watts
- Power Consumption (Radio Only) ... 74 Watts
- Undistorted Output ... 2 Watts
- Maximum Power Output ... 4.2 Watts

STRINGING DETAIL



Added 220 wuf. Mica Condenser from Pin 5 6AL5 to grd.
Added .05 ufd. 400V Tubular Condenser across E20 Electrolytic.